

GRUPO 13 13 BASTIDOR Y SUSPEN

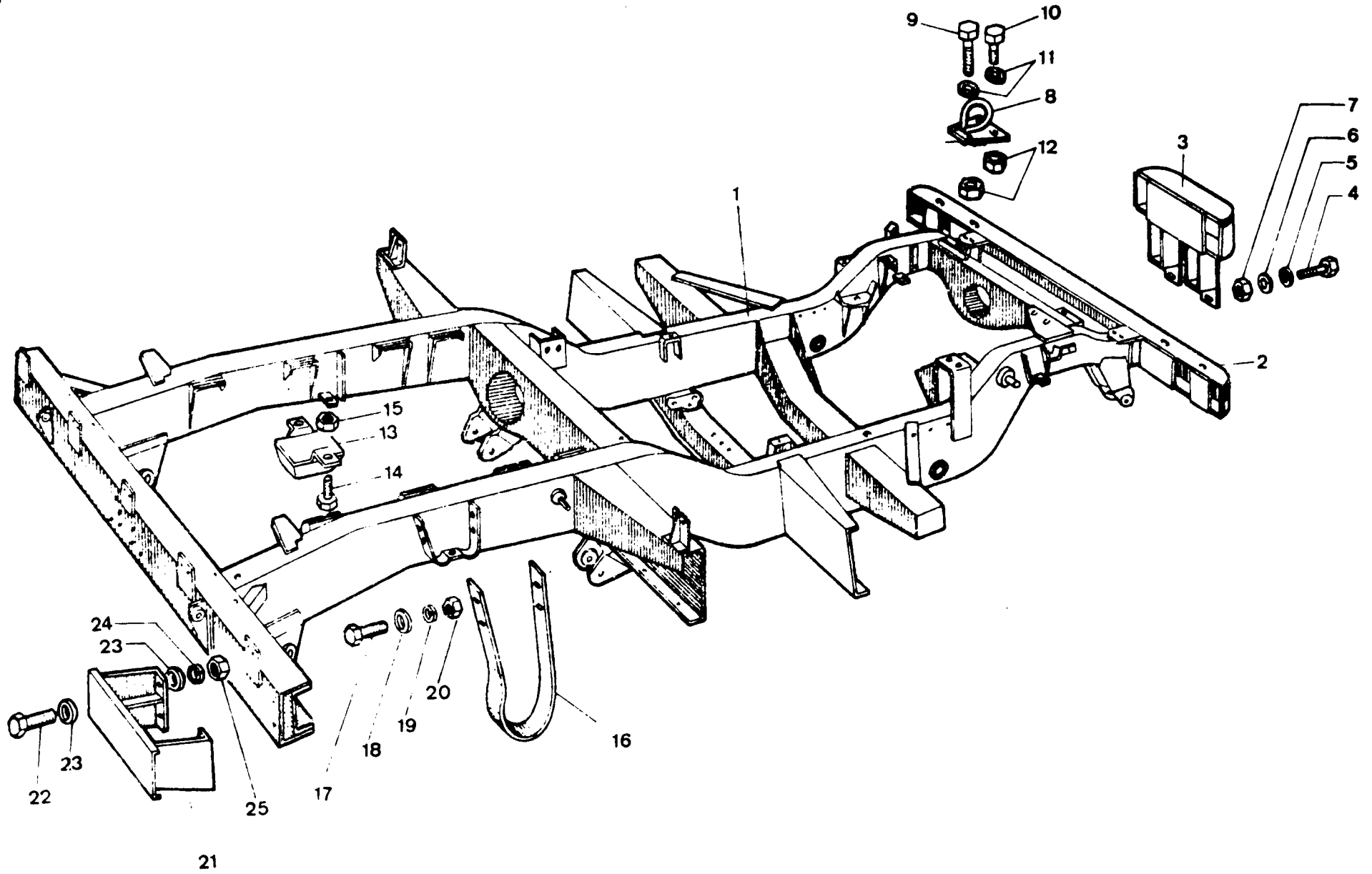
GROUP 13 13 FRAME AND SUSPENS

GROUP 13 13 CHASSIS ET SUSPEN

COMPOSICION.....COMPOSITION.....COMPOSICION

DENOMINACION	DESCRIPTION	DENOMINATION	HOJA PAGE PAGE
BASTIDOR 88 LIG	FRAME 88 LIG	CHASSIS 88 LIG	314
BASTIDOR 88	FRAME 88	CHASSIS 88	315
BASTIDOR 109	FRAME 109	CHASSIS 109	316
BASTIDOR CAZORLA	FRAME CAZORLA	CHASSIS CAZORLA	318
PARAGOLPES	BUMPER	PARE CHOC	319
SOPORTES DE MOT 40 G	ENGINE SUPPORT 40 P	SUPPORT D MOTEU 40 E	320
SOPORTES DE MOT 40 D	ENGINE SUPPORT 40 D	SUPPORT D MOTEU 40 D	321
SOPORTES DE 40 TURBO	ENGINE SUPP 40 TUREO	SUPPORT D M 40 TURBO	322
SOPORTES DE MOT 60	ENGINE SUPPORT 60	SUPPORT D MOTEU 60	323
BALLESTA DELANT 88 G	FRONT SPRING 88 P	RESSORT AVANT 88 E	324
BALLESTA DELAN 88 D	FRONT SPRING 88 D	RESSORT AVANT 88 D	325
BALLESTA DEL 88LIG G	FRONT SPPING 88LIG P	RESSORT AVANT88LIG E	326
BALLESTA DEL 88LIG D	FRONT SPRING 88LIG D	RESSORT AVANT88LIG D	327
BALLESTA DELANT 109 G	FRONT SPRING 109 P	RESSORT AVANT 109 E	328
BALLESTA DELAN 60	FRONT SPRING 60	RESSORT AVANT 60	329
BALLESTA DELAN 109 D	FRONT SPRING 109 D	RESSORT AVANT 109 D	330
BALLESTA DELAN CAZOR	FRONT SPRING CAZORLA	RESSORT AVANT CAZORL	331
BALLESTA DELANTERA	FRONT SPRING	RESSORT AVANT	332
BALLESTA TRAS88 88LIG	REAR SPRING 88 88LIG	RESSORT ARR 88 88LIG	334
BALLSTA TRAS88SUPER	REAR SPRING 88 SUPER	RESSORT ARRI88 SUPER	335
BALLESTA TRAS 109 40	REAR SPRING 109 40	RESSORT ARRIE 109 40	336
BALLESTA TRASERA 60	REAR SPRING 60	RESSORT ARRIERE 60	337
BALLESTA TRASERA CAZ	REAR SPRING CAZORLA	RESSORT ARRIERE CAZO	338
BALLESTA TRA 88 SUPE	REAR SPRING 88 SUPER	RESSORT ARRI 88SUPER	339
BALLESTA TRASERA 109	REAR SPRING 109	RESSORT ARRIERE 109	340
BARRA ESTABILI DELAN	FRONT PANHARD ROD	BARRE DE STABIL AVAN	341
BARRA ESTABILI T 109	REAR PANHARD ROD 109	BARRE DE S ARRIE 109	342
BARRA ESTABI 88SUPER	REAR PANHARD 88SUPER	BARRE DE ARR 88SUPER	343

130009
130106
130104
130107



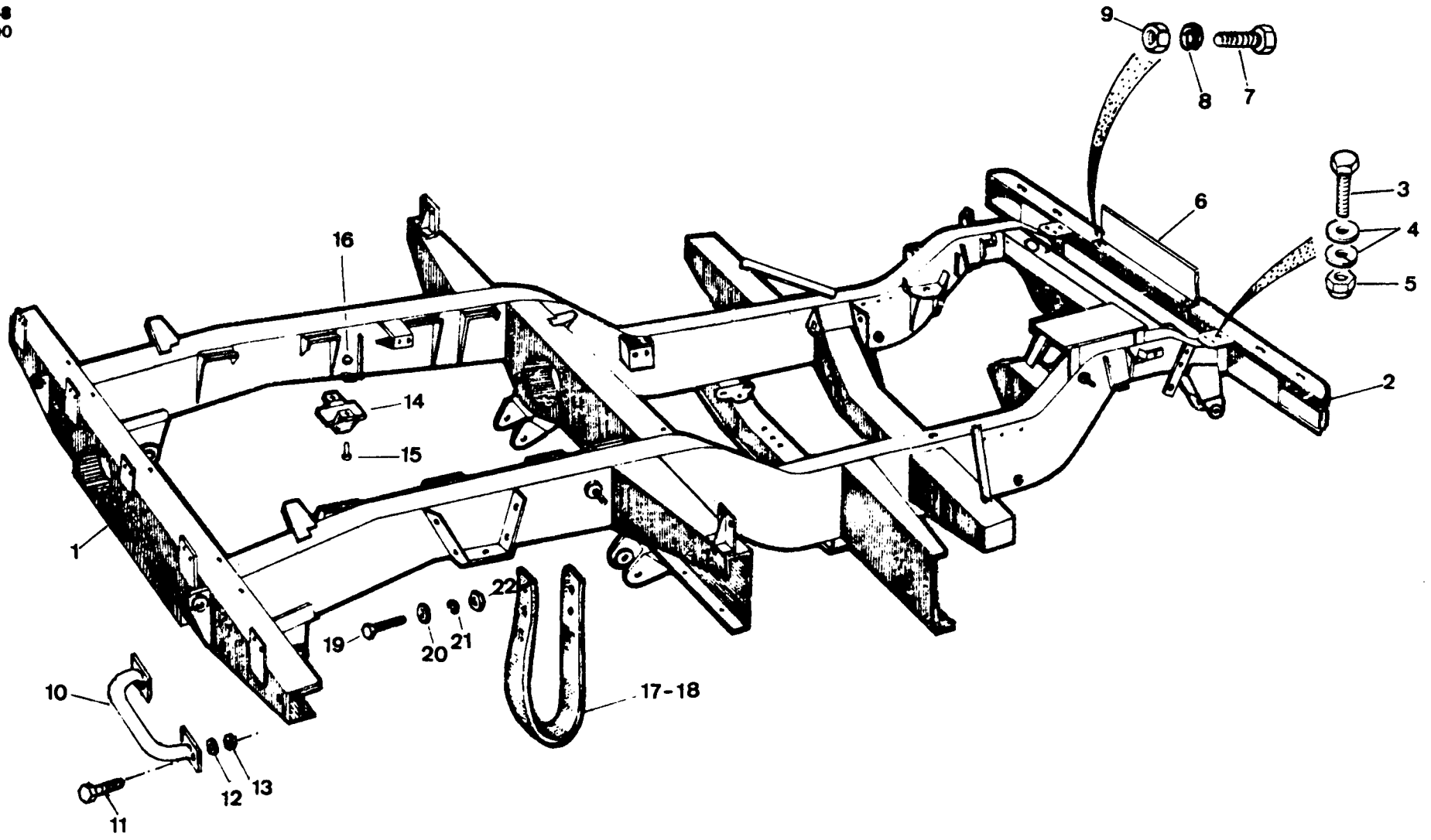
PUBLICACION N.º 7.15
EDICION N.º 1

GRUPO DE BASTIDOR Y SUSPEN
GRUPO DE FRAME AND SUSPENS
GRUPO DE CHASSIS ET SUSPEN

SUBGRUPO BASTIDOR 88 LIG
SUBGRUPO FRAME 54 LIG
SUBGRUPO CHASSIS 78 LIG

N.FIG	N.PILTA	QTY	DETERMINACION	DESCRIPTION	DETERMINACION	CHASSIS
PLATE	PARTNUMBER	QTY				
N.FIG	N.PILCE	QTY				
1	147789	1	BASTIDOR	FRAME	CHASSIS	
2	147846	1	PARAGOLPES	BUMPER	PARE CHOC	
3	147847	2	PARAGOLPES	BUMPER	PARE CHOC	
4	181185	8	TORNILLO	BOLT	BOULON	
5	3875	8	ARANDELA	WASHER	RONDELLE	
6	3831	8	ARANDELA	WASHER	RONDELLE	
7	255226	8	TUERCA	NUT	ECROU	
8	141258	2	ARROLLA	TOWING RING	CROCHET	
9	256256	4	TORNILLO	BOLT	BOULON	
10	255051	4	TORNILLO	BOLT	BOULON	
11	2933	12	ARANDELA	WASHER	RONDELLE	
12	181147	8	TUERCA	NUT	ECROU	
13	241381	4	TOPE DE GOMA	BUMP RUBBER	CHOC DE CAOUTCHOUC	
14	182111	8	TORNILLO	BOLT	BOULON	
15	252221	8	TUERCA	NUT	ECROU	
16	278698E2	1	CORREA L	SASH R H	COURROIE C D	
17	255047	8	TORNILLO	BOLT	BOULON	
18	2851	8	ARANDELA	WASHER	RONDELLE	
19	180426	8	ARANDELA	WASHER	RONDELLE	
20	181182	8	TUERCA	NUT	ECROU	
21	147959	2	PARAGOLPES	BUMPER	PARE CHOC	
22	256049	8	TORNILLO	BOLT	BOULON	
23	4094	16	ARANDELA	WASHER	RONDELLE	
24	180426	8	ARANDELA	WASHER	RONDELLE	
25	181181	8	TUERCA	NUT	ECROU	

30002
30102
30108
30100

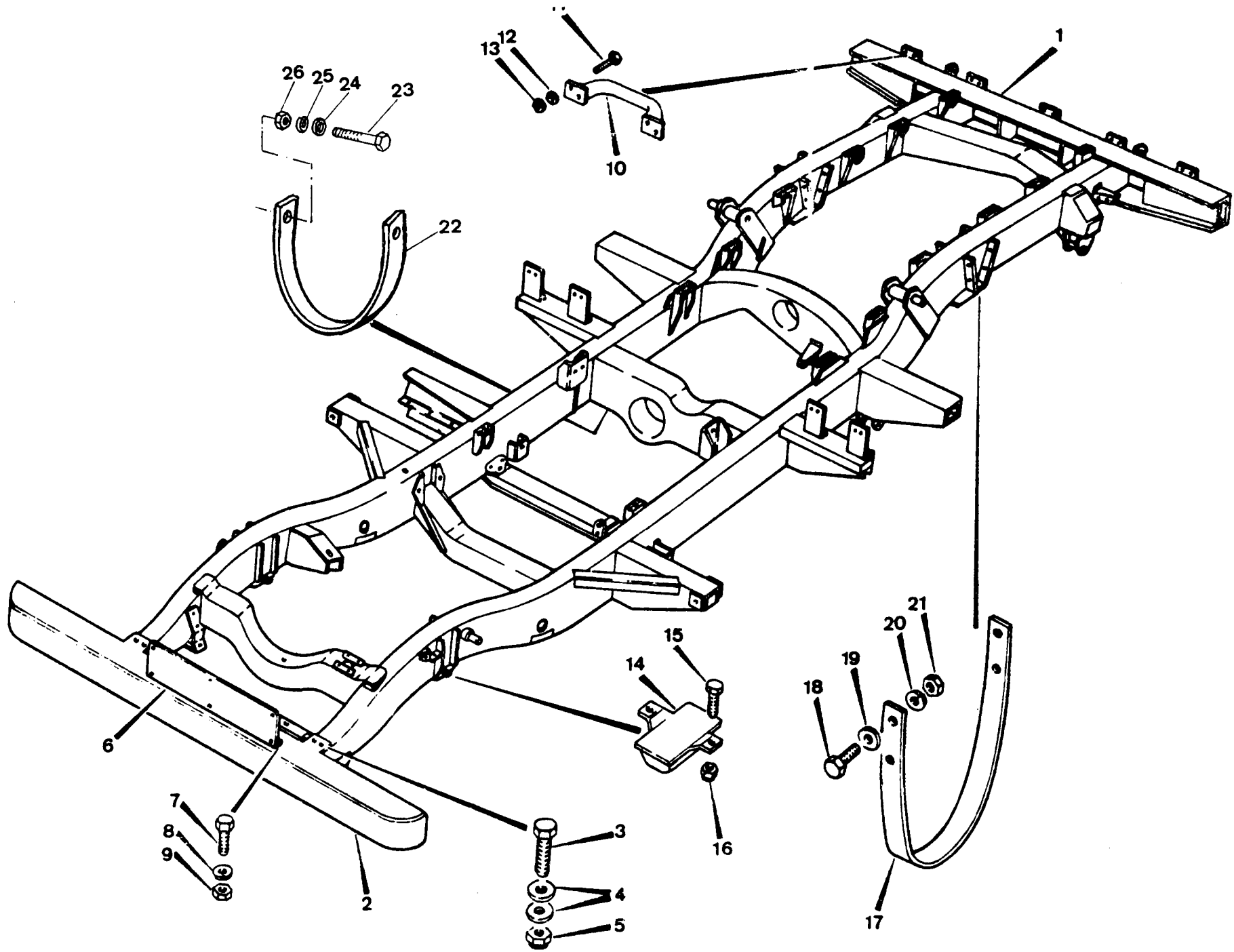


PUBLICACION N.º 1017
 LEICION N.º 1

GRUPO=13 BASTIDOR Y SUSPEN
 GROUPE=13 FRAME AND SUSPENS
 GROUPELT=CHASSIS ET SUSPEN

SUBGRUPO=BASTIDOR 83
 SUBGROUPE=FRAME 85
 SUBGROUPE=CHASSIS 89

N.º FIG PLATE N.º FIG	N.º PIEZA PARTIUMBER N.º PIECE	CAN QTY OUT	DENOMINACION	DESCRIPTION	DENOMINATION	C H A S S I S
1	148052	1	BASTIDOR	FRAME	CHASSIS	
	148064	1	BASTIDOR SUPER	FRAME SUPER	CHASSIS SUPER	
	148084	1	BASTIDOR CC 5 VELOC	FRAME CC 5 SPEED	CHASSIS BV 5 VITESSE	
	148085	1	BASTIDOR SUPER CC 5	FRAME SUPER CC 5 SPE	CHASSIS SUPER BV 5 V	
3	256254	4	TORNILLO	BOLT	BOULON	
4	4094	8	ARANDELA	WASHER	RONDELLE	
5	579751	4	TUERCA	NUT	ECROU	
6	577143	1	SOPORTE	SUPPORT	SUPPORT	
7	182112	2	TORNILLO	BOLT	BOULON	
	3074	2	ARANDELA	WASHER	RONDELLE	
9	181184	2	TUERCA	NUT	ECROU	
11	255226	8	TORNILLO	BOLT	BOULON	
12	3075	8	ARANDELA	WASHER	RONDELLE	
13	181185	8	TUERCA	NUT	ECROU	
14	241381	4	TOPE DE GOMA	LUMP RUBBER	CHOC DE CAOUTCHOUC	
15	182113	8	TORNILLO	BOLT	BOULON	
16	252227	8	TUERCA	NUT	ECROU	
17	237153	1	CORREA L D	SASH R H	COURROIE CD	
	274469	1	CORREA L D SUPER	SASH R H SUPER	COURROIE C D SUPER	
18	274469	1	CORREA L I	SASH L H	COURROIE C G	
	577973	1	CORREA L I SUPER	SASH L H SUPER	COURROIE C G SUPER	
19	255047	8	TORNILLO	BOLT	BOULON	
20	2351	8	ARANDELA	WASHER	RONDELLE	
21	180426	8	ARANDELA	WASHER	RONDELLE	
22	181182	8	TUERCA	NUT	ECROU	

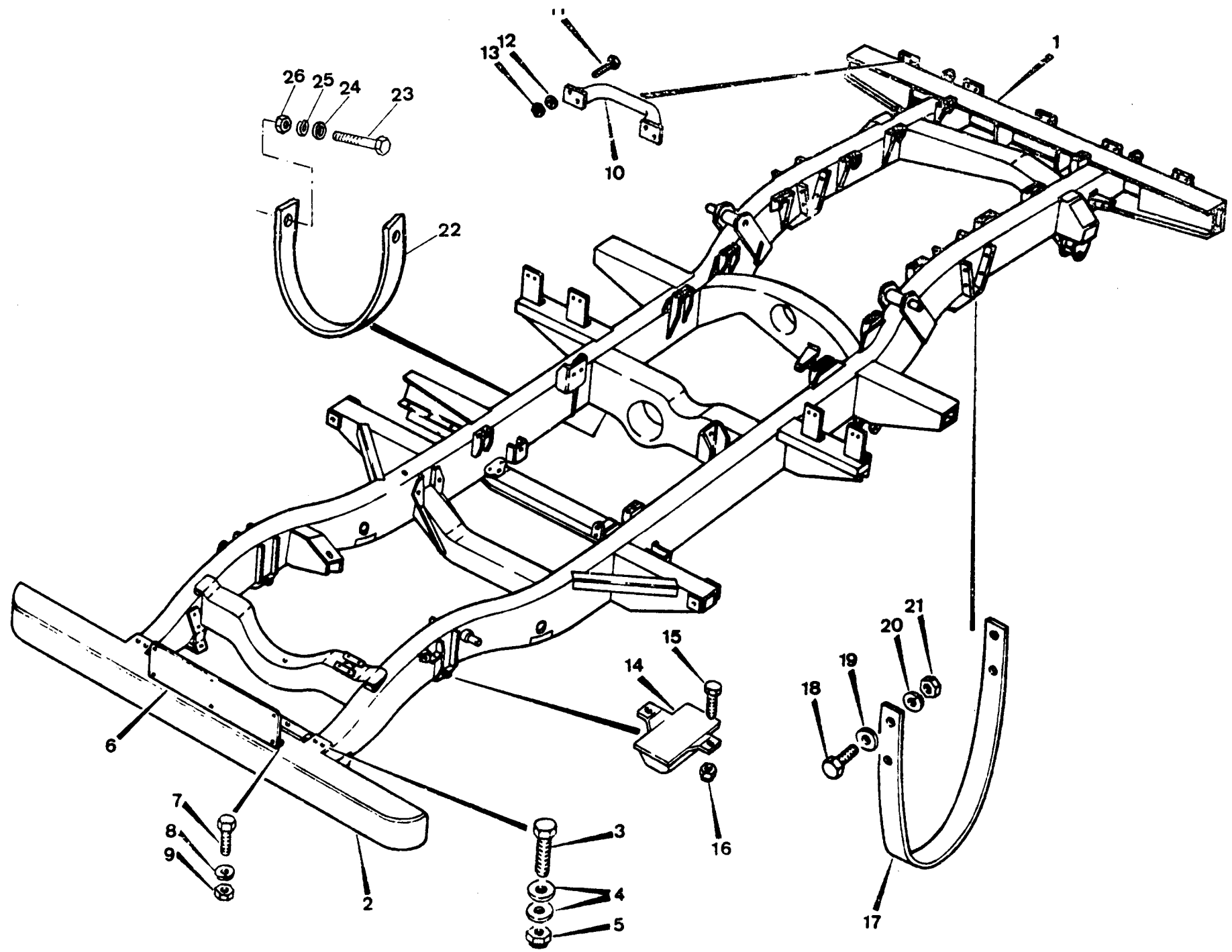


PUBLICACION N 851013
EDICION N 1

GRUPO=17 BASTIDOR Y SUSPEN
GRUPE=17 FRAME AND SUSPENS
GRUPE=17 CHASSIS ET SUSPEN

SUBGRUPO=BASTIDOR 109
SUBGRUPE=FRAME 109
SUBGRUPE=CHASSIS 109

N.FIG	N.PIEZA	CAN				
PLATE	PARTNUMBER	QTY				
N.FIG	N.PIECE	OUT	DENOMINACION	DESCRIPTION	DENOMINATION	CHASSIS
1	148053	1	BASTIDOR	FRAME	CHASSIS	
	148054	1	BASTIDOR ESPECIAL	FRAME SPECIAL	CHASSIS SPECIAL	
	148055	1	BASTIDOR 6C	FRAME 6C	CHASSIS 6C	
	148056	1	BASTIDOR SUPER	FRAME SUPER	CHASSIS SUPER	
	148057	1	BASTIDOR CC 5 VELOCI	FRAME GB 5 SPEED	CHASSIS BV 5 VITESSE	
	148058	1	BASTIDOR ESP CC 5 VF	FRAME SPE GB 5 SPEED	CHASSIS SPE BV 5 VIT	
	148059	1	BASTIDOR SUPER CC 5	FRAME SUPER GB 5 SPE	CHASSIS SUPER BV 5 V	
	148060	1	BAST REFORZADO CC 5	REINFOR FRA GB 5 SPE	CHASSIS RENFO BV 5 V	
2	147343	1	PARAGOLPES ESP Y SUP	BUMPER SPEC AND SUPER	PARE CHOC SPE ET SUP	
	273585	1	PARAGOLPES	BUMPER	PARE CHOC	
	273585K1	1	PARAGOLPES 6C	BUMPER 6C	PARE CHOC 6C	
3	256254	4	TORNILLO	BOLT	BOULON	
4	4094	8	ARANDELA	WASHER	RONDELLE	
5	589751	4	TUERCA	NUT	ECROU	
6	577140	1	SOPORTE	SUPPORT	SUPPORT	
7	182112	2	TORNILLO	BOLT	BOULON	
8	3074	2	ARANDELA	WASHER	RONDELLE	
9	181184	2	TUERCA	NUT	ECROU	
10	201782	2	ASIDEROS 4 6C U SUPE	HANDLE 4 6C AND SUPE	ANSE 4 6C ET SUPER	
	201792	2	ASIDEROS ESPECIAL	HANDLE SPECIAL	ANSE SPECIAL	
11	255220	8	TORNILLO	BOLT	BOULON	
12	3075	8	ARANDELA	WASHER	RONDELLE	
13	181185	8	TUERCA	NUT	ECROU	
14	241380	4	TOPE DE GOMA	BUMP RUBBER	CHOC DE CAOUTCHOUC	
15	182113	8	TORNILLO	BOLT	BOULON	
16	252221	8	TUERCA	NUT	ECROU	
17	278698E2	2	CORREA	SASH	COURROIE	
18	255047	8	TORNILLO	BOLT	BOULON	
19	2851	8	ARANDELA	WASHER	RONDELLE	
20	180426	8	ARANDELA	WASHER	RONDELLE	
21	181182	8	TUERCA	NUT	ECROU	
22	181670	1	CORREA CC 5 VELOCIDA	BELT GB 5 SPEED	COURROIE BV 5 VITESSE	
23	255047	2	TORNILLO CC 5 VELOCI	BOLT GB 5 SPEED	BOULON BV 5 VITESSES	

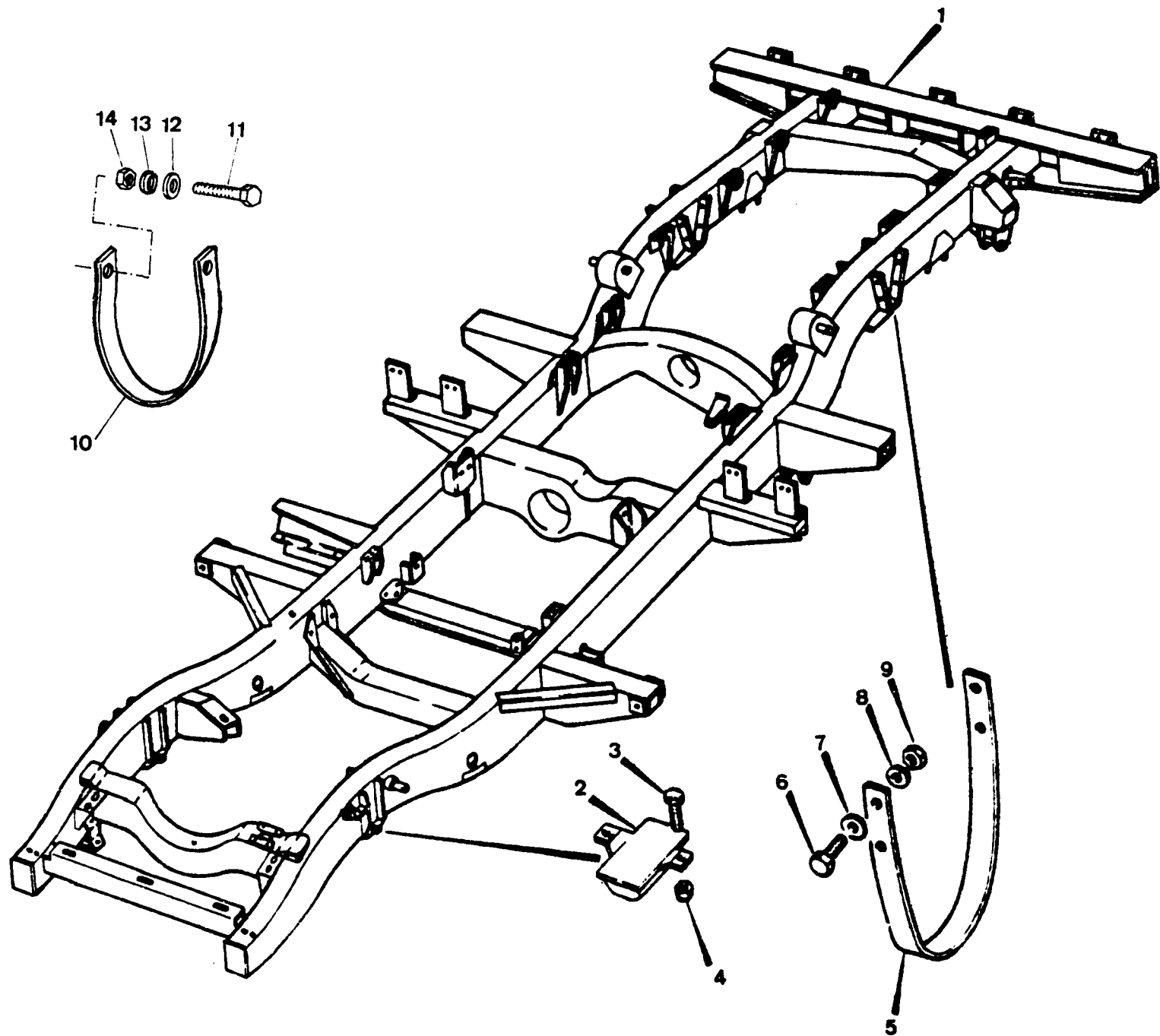


PUBLICACION N 893013
 EDICION N 1

GRUPO=13 BASTIDOR Y SUSPEN
 GROUPE=13 FRAME AND SUSPENS
 GROUPE=13 CHASSIS ET SUSPEN

SUBGRUPO=BASTIDOR 100
 SUBGROUPE=FRAME 109
 SUBGROUPE=CHASSIS 109

N.FIG	N.PIEZA	CAN				
PLATE	PARTNUMBER	QTY				
N.FIG	N.PIECE	QTY	DENOMINACION	DESCRIPTION	DENOMINATION	C H A S I S
24	2852	2	ARANDELA CC 5 VELOCI	WASHER GB 5 SPEED	RONDELLE BV 5 VITESSE	
25	180470	2	ARANDELA CC 5 VELOCI	WASHER GB 5 SPEED	RONDELLE BV 5 VITESSE	
26	181187	2	TUERCA CC 5 VELOCIDA	NUT GB 5 SPEED	ECROU BV 5 VITESSES	

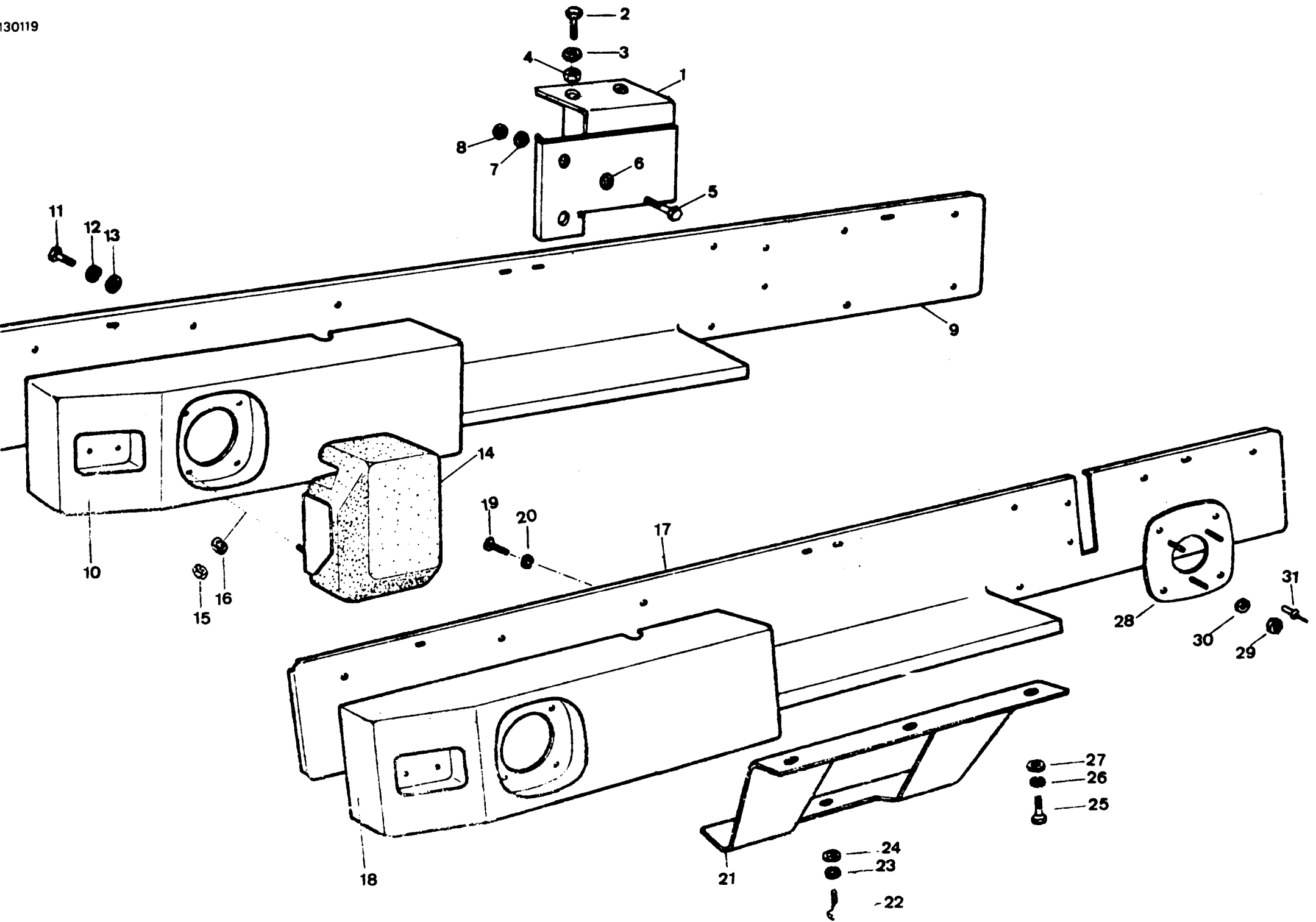


PUBLICACION N 880013
EDICION N 1

GRUPO=17 BASTIDOR Y SUSPEN
GROUP=17 FRAME AND SUSPENS
GRUPE=17 CHASSIS ET SUSPEN

SUBGRUPO=BASTIDOR CAZORLA
SUBGRUPE=FRAME CAZORLA
SUBGRUPE=CHASSIS CAZORLA

N.FIG	N.PIEZA	CAN	DENOMINACION	DESCRIPTION	DENOMINACION	C H A S I S
PLATE	PARTNUMBER	QTY				
N.FIG	N.PIECE	OUT				
1	148256	1	BASTIDOR	FRAME	CHASIS	
2	241361	4	TOPE DE GOMA	BUMP RUBBER	CHOC DE CAOUTCHOUC	
3	182117	8	TORNILLO	BOLT	BOULON	
4	252228	3	TUERCA	NUT	ECROU	
5	278698E2	2	CORREA	BELT	COURROIE	
6	255047	8	TORNILLO	BOLT	BOULON	
7	2851	8	ARANDELA	WASHER	RONDELLE	
8	180470	8	ARANDELA	WASHER	RONDELLE	
9	181182	8	TUERCA	NUT	ECROU	
10	131671	1	CORREA	BELT	COURROIE	
11	255047	2	TORNILLO	BOLT	BOULON	
12	2851	2	ARANDELA	WASHER	RONDELLE	
13	180470	2	ARANDELA	WASHER	RONDELLE	
14	181182	2	TUERCA	NUT	ECROU	



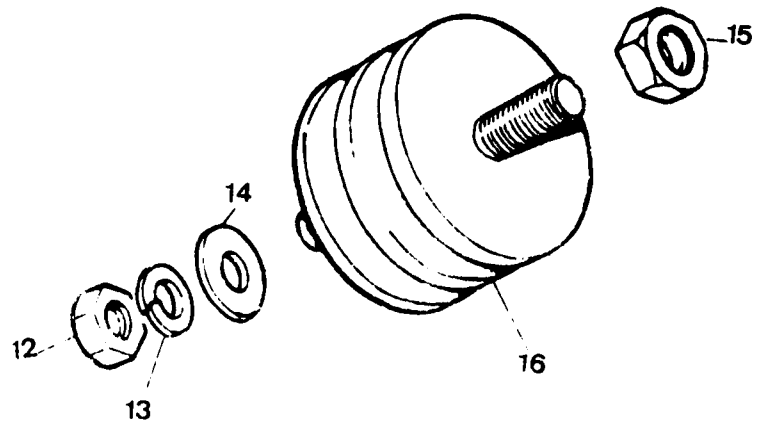
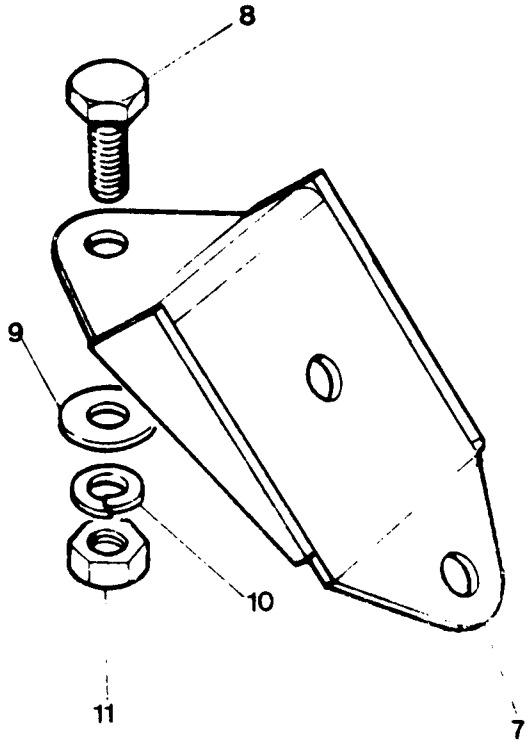
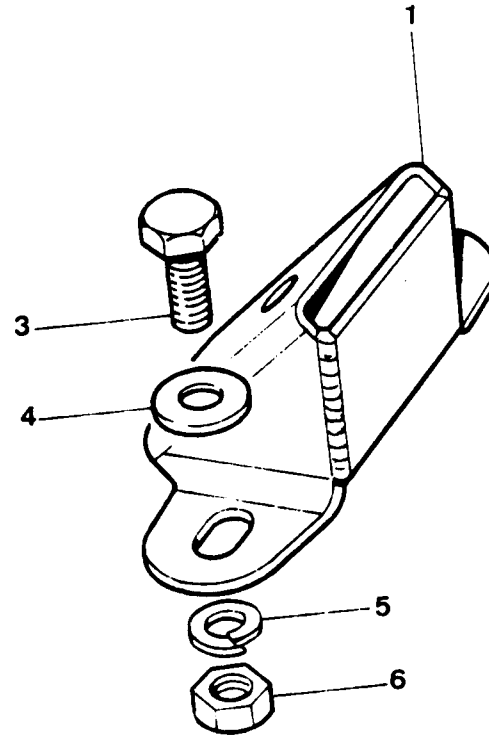
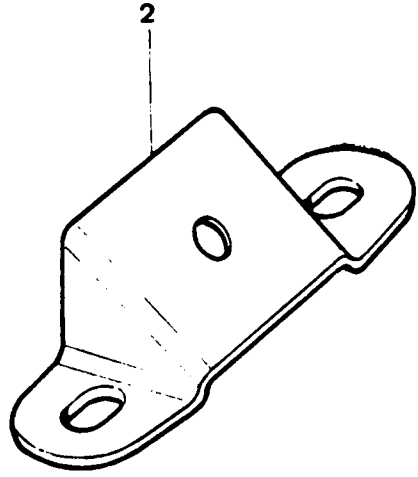
PUBLICACION N 880013
EDICION N 1

GRUPO=13 BASTIDOR Y SUSPEN
GROUP=17 FRAME AND SUSPENS
GROUPE=13 CHASSIS ET SUSPEN

SUBGRUPO=PARAGOLPES
SUB-GROUP=BUMPER
SUBGROUPE=PARE CHOC

N.FIG PLATE N.FIG	N.PIEZA PARTNUMBER N.PIECE	CAN QTY OUT	DENOMINACION	DESCRIPTION	DENOMINATION	C H A S I S
1	208864	1	SOPORTE L D	SUPPORT R H	SUPPORT C D	
	208865	1	SOPORTE L I	SUPPORT L H	SUPPORT C G	
2	256254	4	TORNILLO	SCREW	VIS	
3	4094	8	ARANDELA	WASHER	RONDELLE	
4	509751	4	TUERCA	NUT	ECROU	
5	255206	4	TORNILLO	SCREW	VIS	
6	180426	4	ARANDELA	WASHER	RONDELLE	
7	4094	4	ARANDELA	WASHER	RONDELLE	
8	181187	4	TUERCA	NUT	ECROU	
9	208869	1	PARAGOLPES DELANTERO	FRONT BUMPER	PARE CHOC AVANT	
10	208863	2	PARAGOLPES DELANTERO	FRONT BUMPER	PARE CHOC AVANT	
11	182118	8	TORNILLO	SCREW	VIS	
12	3075	8	ARANDELA	WASHER	RONDELLE	
13	3899	12	ARANDELA	WASHER	RONDELLE	
14	207692	2	GOMA	RUBBER	CAOUTCHOUC	
15	181184	4	TUERCA	NUT	ECROU	
16	3074	4	ARANDELA	WASHER	RONDELLE	
17	208860	1	PARAGOLPES TRASERO	REAR BUMPER	PARE CHOC ARRIERE	
18	208866	1	PARAGOLPES TRASE L D	REAR BUMPER R H	PARE CHOC ARRIER C D	
	208867	1	PARAGOLPES TRASE L I	REAR BUMPER L H	PARE CHOC ARRIER C G	
19	182118	12	TORNILLO	SCREW	VIS	
20	3075	12	ARANDELA	WASHER	RONDELLE	
21	201263	1	SOPORTE	SUPPORT	SUPPORT	
22	255145	3	TORNILLO	SCREW	VIS	
23	180426	3	ARANDELA	WASHER	RONDELLE	
24	2210	3	ARANDELA	WASHER	RONDELLE	
25	255225	3	TORNILLO	SCREW	VIS	
26	3075	3	ARANDELA	WASHER	RONDELLE	
27	3830	3	ARANDELA	WASHER	RONDELLE	
28	207601	1	PLACA	PLATE	PLAQUE	
29	2247	3	TUERCA	NUT	ECROU	
30	3073	3	ARANDELA	WASHER	RONDELLE	
31	070838	4	REMACHE	RIVET	RIVET	

130001
130202

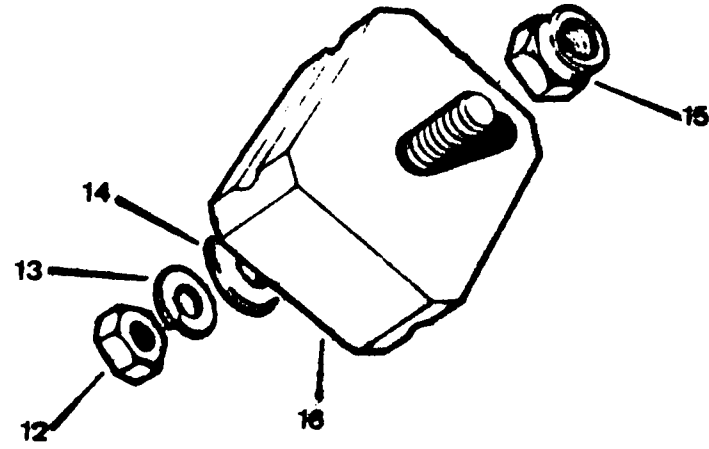
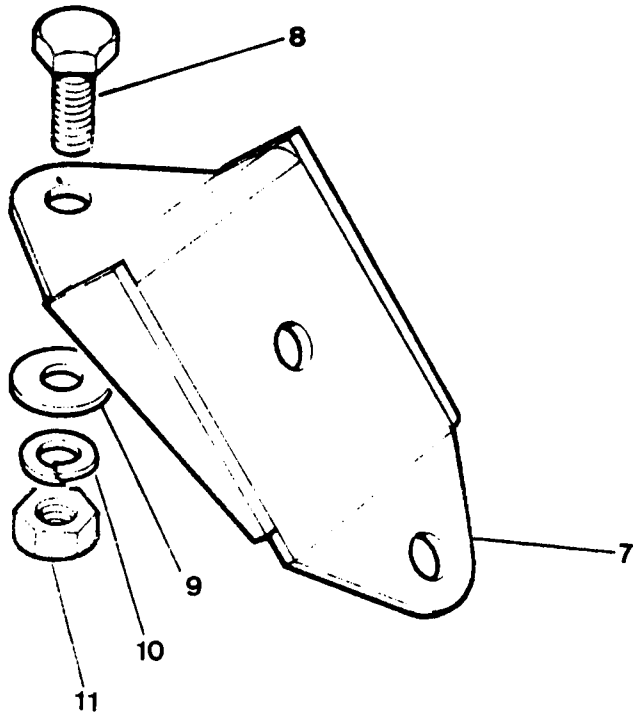
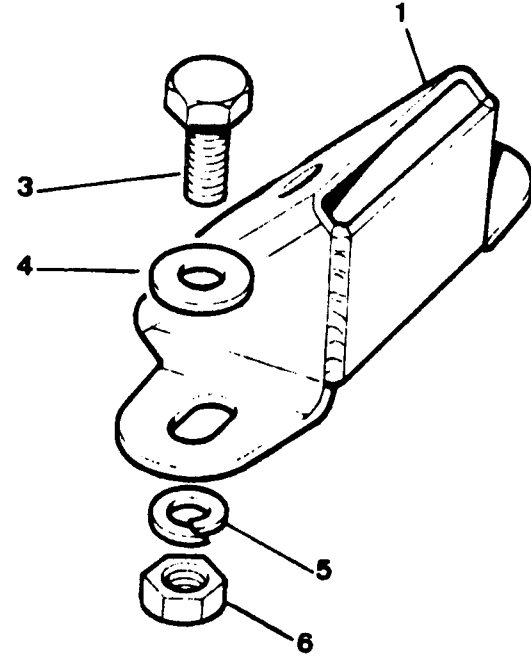
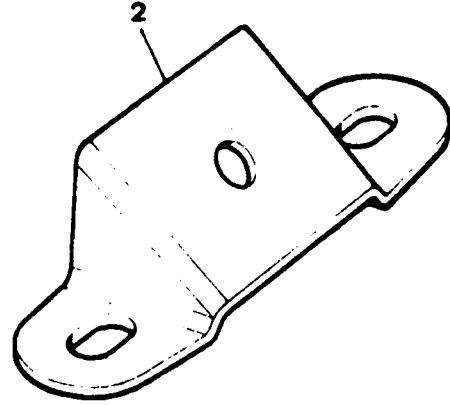


PUBLICACION N 880013
EDICION N 1

GRUPO=13 BASTIDOR Y SUSPEN
GROUP=13 FRAME AND SUSPENS
GROUPE=13 CHASSIS ET SUSPEN

SUBGRUPO=SOPORTES DE MOT 4C G
SUBGRUPO=ENGINE SUPPORT 4C P
SUBGRUPO=SUPPORT D MOTEU 4C E

N.FIG PLATE N.FIG	N.PIEZA PARTNUMBER N.PIECE	CAN QTY OUT	DENOMINACION	DESCRIPTION	DENOMINATION	C H A S I S
1	272498	1	SOPORTE L I	SUPPORT L H	SUPPORT C G	
2	272501	1	SOPORTE L D	SUPPORT R H	SUPPORT C D	
3	255047	4	TORNILLO	BOLT	BOULON	
4	2251	4	ARANDELA	WASHER	RONDELLE	
5	180428	4	ARANDELA	WASHER	RONDELLE	
6	181182	4	TUERCA	NUT	ECROU	
7	272500	1	SOPORTE L D	SUPPORT R H	SUPPORT C D	
8	255047	2	TORNILLO	BOLT	BOULON	
9	2251	1	ARANDELA	WASHER	RONDELLE	
10	180428	2	ARANDELA	WASHER	RONDELLE	
11	181182	2	TUERCA	NUT	ECROU	
12	853039	4	TUERCA	NUT	ECROU	
13	810013	4	ARANDELA	WASHER	RONDELLE	
14	850621	3	ARANDELA	WASHER	RONDELLE	
15	810507	4	TUERCA	NUT	ECROU	
16	NRC2153	2	SILENTBLOC TRASERO	REAR SUSPENSION RUBB	SILENTBLOCK ARRIERE	
	NRC2154	2	SILENTBLOC DELANTERO	FRONT SUSPENSION RUB	SILENTBLOCK AVANT	

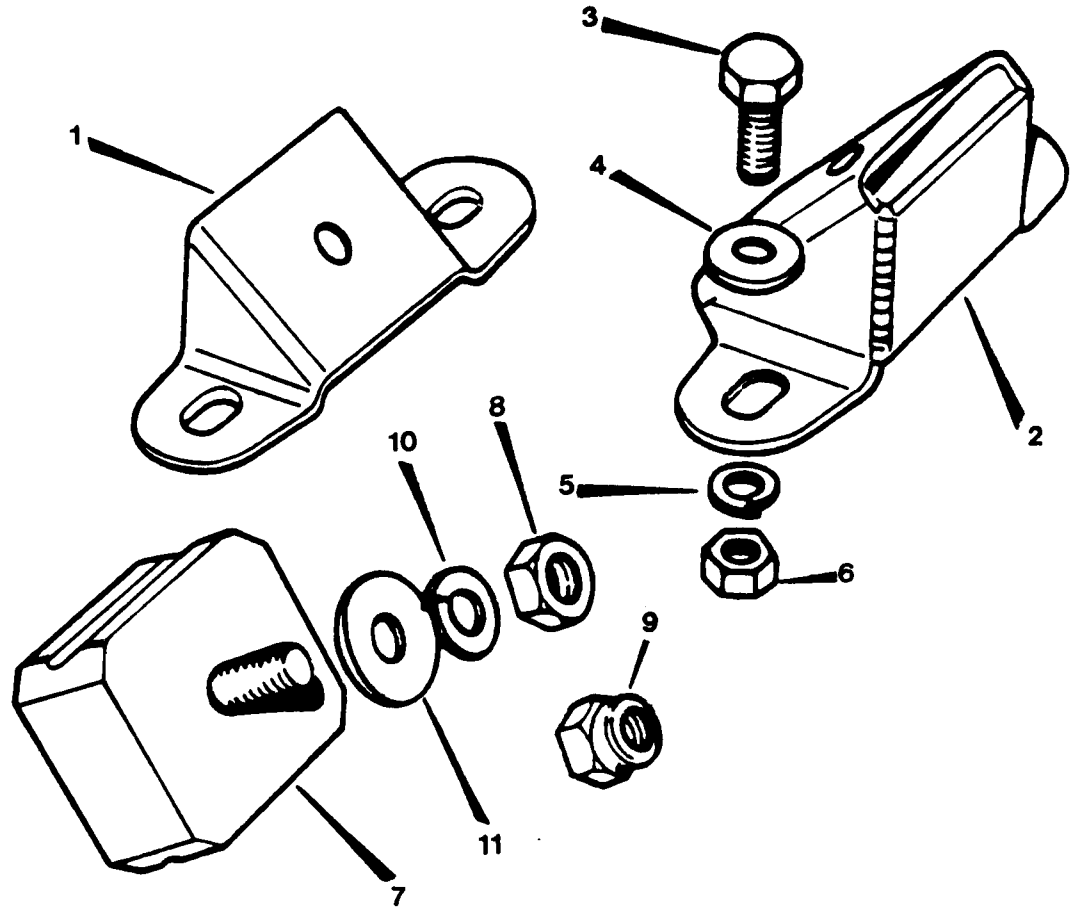


PUBLICACION N 830013
EDICION N 1

GRUPO=13 BASTIDOR Y SUSPEN
GROUP=13 FRAME AND SUSPENS
GROUPE=13 CHASSIS ET SUSPEN

SUBGRUPO=SOPORTES DE MOT 4C D
SUBGRUPE=ENGINE SUPPORT 4C D
SUBGROUPE=SUPPORT D MOTEU 4C D

N.FIG PLATE N.FIG	N.PIEZA PARTNUMBER N.PIECE	CAN QTY QTY	DENOMINACION	DESCRIPTION	DENOMINATION	C H A S I S
1	272498	1	SOPORTE L I	SUPPORT L H	SUPPORT C B	
2	272501	1	SOPORTE L D	SUPPORT R H	SUPPORT C D	
3	255047	4	TORNILLO	BOLT	BOULON	
4	2251	4	ARANDELA	WASHER	RONDELLE	
5	180426	4	ARANDELA	WASHER	RONDELLE	
6	181182	4	TUERCA	NUT	ECROU	
7	272506	1	SOPORTE L D	SUPPORT R H	SUPPORT C D	
8	255047	2	TORNILLO	BOLT	BOULON	
9	2251	1	ARANDELA	WASHER	RONDELLE	
10	180426	2	ARANDELA	WASHER	RONDELLE	
11	181182	2	TUERCA	NUT	ECROU	
12	853121	4	TUERCA	NUT	ECROU	
13	810003	4	ARANDELA	WASHER	RONDELLE	
14	850621	3	ARANDELA	WASHER	RONDELLE	
15	810503	4	TUERCA	NUT	ECROU	
16	NRC2092	4	SILENTRLOC	SUSPENSION RUBBER	SILENTBLOCK	

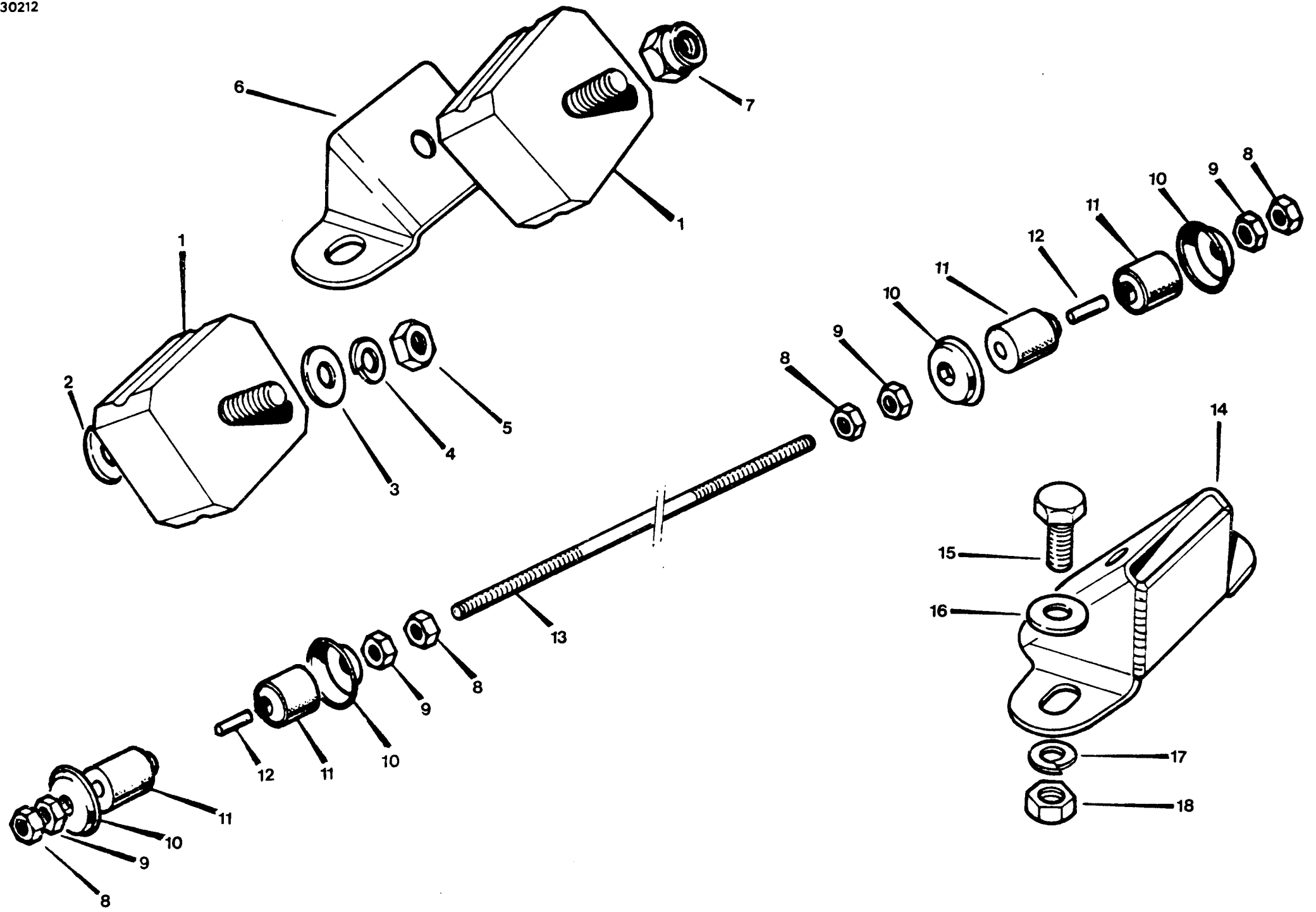


PUBLICACION N.º 1013
EDICION N.º 1

GRUPO=13 GASTIDOR Y SUSPEN
GROUP=13 FRAME AND SUSPENS
GROUPE=13 CHASSIS ET SUSPEN

SUBGRUPO=SOPORTES DE 40 TURBO
SUBGROUPE=ENGINE SUPP 40 TURBO
SUBGROUPE=SUPPORT D M 40 TURBO

N.º FIG	N.º PIEZA	CAN				
PLATE	PARTNUMBER	QTY				
N.º FIG	N.º PIFCE	OUT	DENOMINACION	DESCRIPTION	DENOMINATION	C H A S I S
1	272501	1	SOPORTES L D	SUPPORT R H	SUPPORT C D	
2	272498	1	SOPORTES L I	SUPPORT L H	SUPPORT C G	
3	255 47	4	TORNILLO	BOLT	BOULON	
4	2251	4	ARANDELA	WASHER	RONDELLE	
5	180420	4	ARANDELA	WASHER	RONDELLE	
6	181101	4	TUERCA	NUT	ECROU	
7	AP02092	2	SILENTBLOC DELANTERA	FRONT SUSPENSION RUB	SILENTBLOCK AVANT	
	AP02093	2	SILENTBLOC TRASERA	REAR SUSPENSION RUB	SILENTBLOCK ARRIERE	
8	853025	4	TUERCA	NUT	ECROU	
9	810503	4	TUERCA	NUT	ECROU	
10	810502	4	ARANDELA	WASHER	RONDELLE	
11	853021	4	ARANDELA	WASHER	RONDELLE	



PUBLICACION N 880013
EDICION N 1

GRUPO=13 BASTIDOR Y SUSPEN
GROUP=13 FRAME AND SUSPENS
GROUPE=13 CHASSIS ET SUSPEN

SUBGRUPO=SOportes DE MOT 6C
SUBGROUP=ENGINE SUPPORT 6C
SUBGROUPE=SUPPORT D MOTEU 6C

N.FIG	N.PIEZA	CAN				
PLATE	PARTNUMBER	QTY				
N.FIG	N.PIECE	OUT	DENOMINACION	DESCRIPTION	DENOMINATION	C H A S I S
1	111263	2	GOMA	RUBBER	CAOUTCHOUC	
2	850641	2	ARANDELA	WASHER	RONDELLE	
3	850621	2	ARANDELA	WASHER	RONDELLE	
4	810003	4	ARANDELA	WASHER	RONDELLE	
5	853035	4	TUERCA	NUT	ECROU	
6	272501	1	SOPORTE L D	SUPPORT R H	SUPPORT C D	
7	810503	4	TUERCA	NUT	ECROU	
8	181191	4	TUERCA	NUT	ECROU	
9	181181	4	TUERCA	NUT	ECROU	
10	07015	4	ARANDELA	WASHER	RONDELLE	
11	07014	4	GOMA	RUBBER	CAOUTCHOUC	
12	504607	2	CASQUILLO	BUSH	BAGUE	
13	504606	1	TIRANTE	TIE ROD	TINGLE	
14	272498	1	SOPORTE L I	SUPPORT L H	SUPPORT C G	
15	255047	4	TORNILLO	BOLT	ROULON	
16	2251	4	ARANDELA	WASHER	RONDELLE	
17	3676	4	ARANDELA	WASHER	RONDELLE	
18	181182	4	TUERCA	NUT	ECROU	

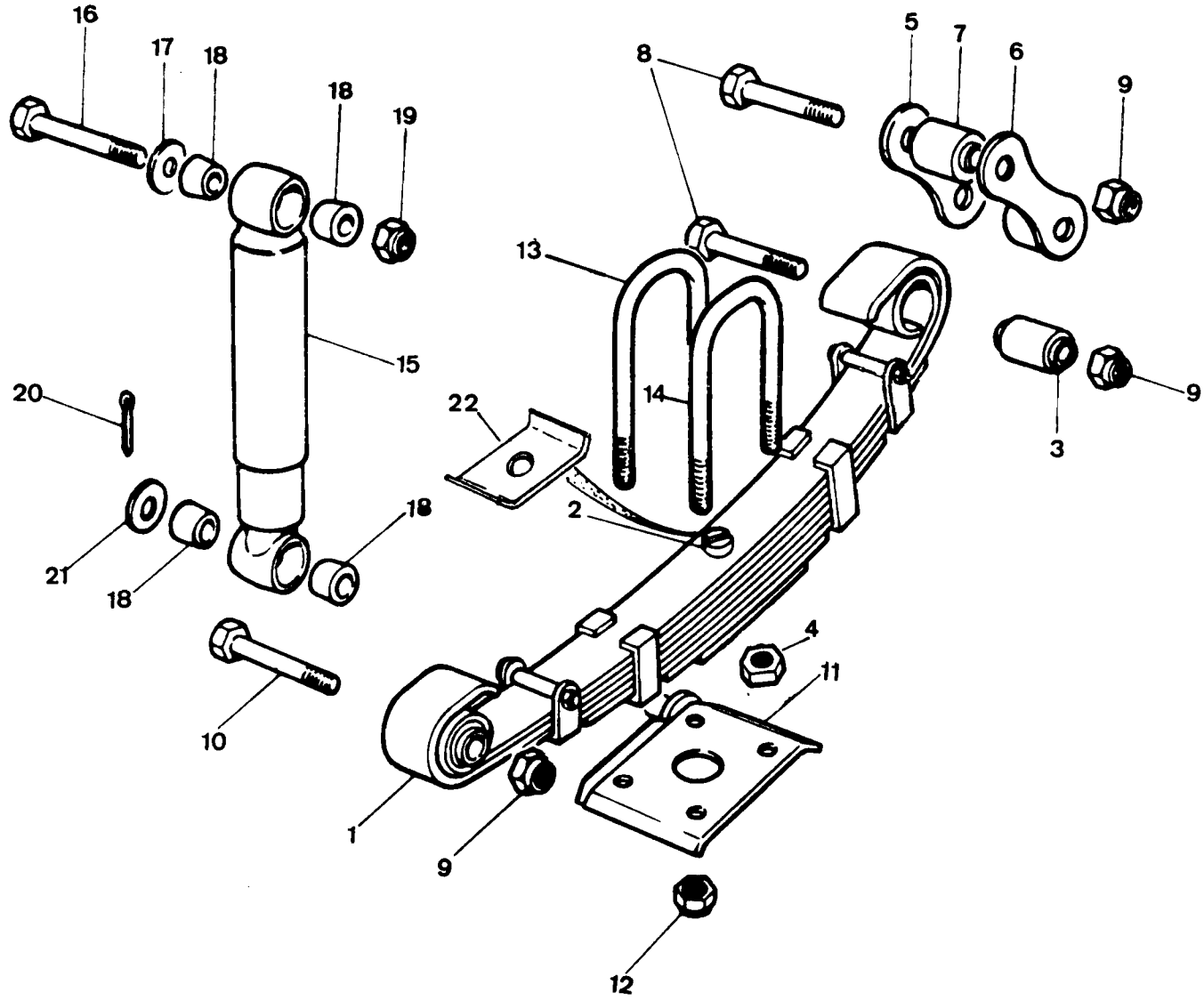
PUBLICACION N 880013
EDICION N 1

GRUPC=13 BASTIDOR Y SUSPEN
GROUP=13 FRAME AND SUSPENS
GRUPE=13 CHASSIS ET SUSPEN

SUBGRUPO=BALLESTA DELANT 88 G
SUBGROUP=FRONT SPRING 88 P
SUBGROUPE=RESSORT AVANT 88 E

N.FIG	N.PIEZA	CAN	DENOMINACION	DESCRIPTION	DENOMINATION	C H A S I S
PLATE	PARTNUMBER	QTY				
N.FIG	N.PIECE	OUT				
1	241283	1	BALLESTA DELANT L D	FRONT SPRING R H	RESSORT AVANT C D	
	242863	1	BALLESTA DELANT L I	FRONT SPRING L H	RESSORT AVANT C G	
	243125E2	2	HOJA MAESTRA	MAIN LEAF	LAME MAITRESSE	
	243126E2	2	HOJA SEGUNDA	2 AND LEAF	2 EME LAME	
2	189465	2	PERNO	SPRING DOWEL	BOULON	
3	548255	4	CASQUILLO	BUSH	BAGUE	
4	NY108041	2	TUERCA	NUT	ECROU	
5	270521	2	PLACA	PLATE	PLAQUE	
6	537687E1	2	PLACA	PLATE	PLAQUE	
7	569746	2	CASQUILLO	BUSH	BAGUE	
8	537742	4	TORNILLO	BOLT	BOULON	
9	252165	6	TUERCA	NUT	ECROU	
10	537743	2	TORNILLO	BOLT	BOULON	
11	264022E1	1	PLACA L I	PLATE L H	PLAQUE C G	
	264023E1	1	PLACA L D	PLATE R H	PLAQUE C D	
12	187175	8	TUERCA	NUT	ECROU	
13	562641	1	ABARCON	U BOLT	BRIDE	
14	562637	3	ABARCON	U BOLT	BRIDE	
15	168700	2	AMORTIGUADOR	SHOCK ABSORBER	AMORTISSEUR	
16	253831	2	TORNILLO	BOLT	BOULON	
17	243022	2	ARANDELA	WASHER	RONDELLE	
18	243057E2	8	GOMA	RUBBER	CAOUT CHOUIC	
19	252163	2	TUERCA	NUT	ECROU	
20	4103	2	PASADOR	PIN	GOUJON	
21	264024	2	ARANDELA	WASHER	RONDELLE	
22	NRC3472	2	PLACA	PLATE	PLAQUE	

130003
130005
130007
130014
130402
130405
130409
130414
130417
130420
130422
130400
130401



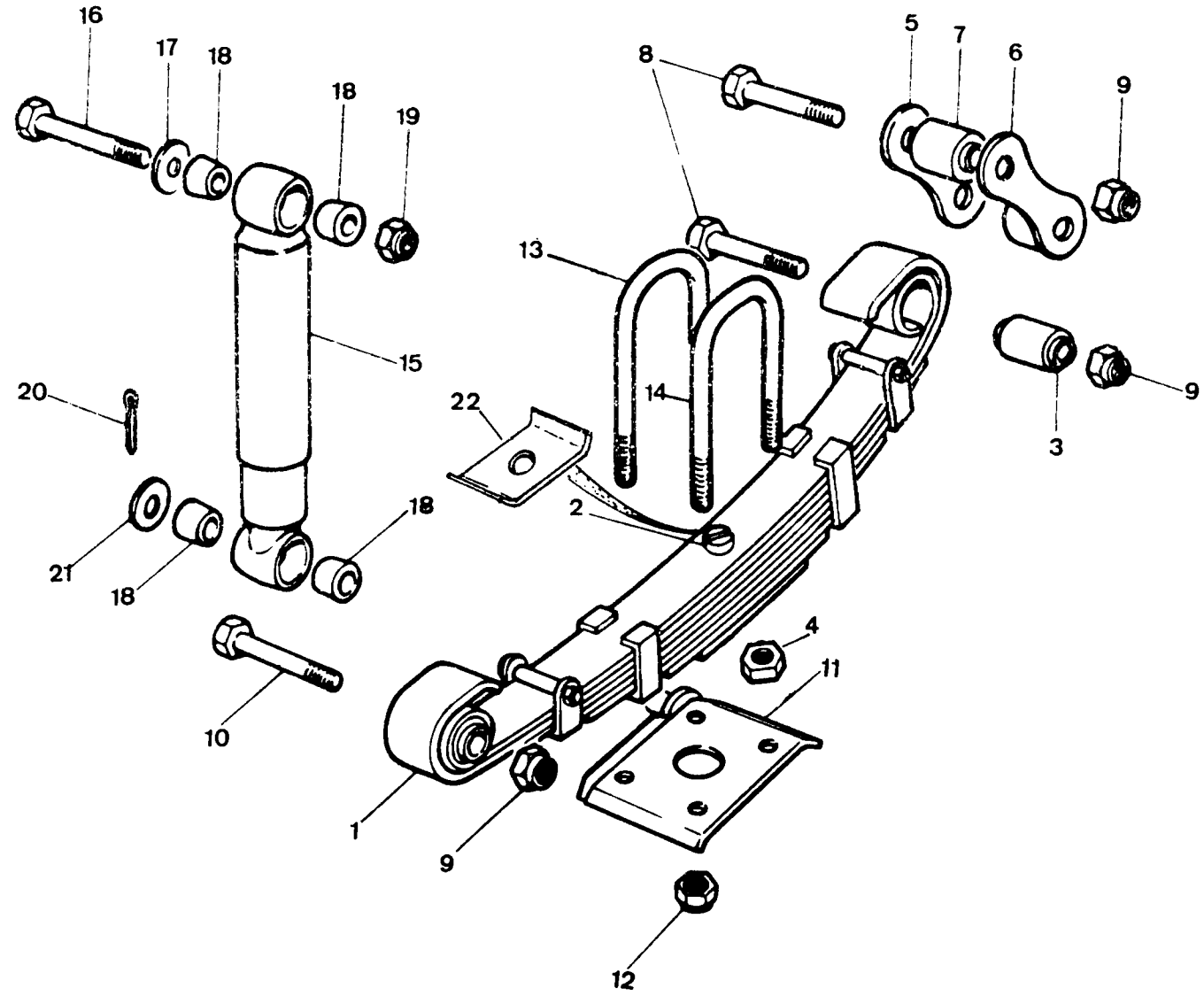
PUBLICACION N 88J013
EDICION N 1

GRUPO=13 BASTIDOR Y SUSPEN
GROUP=13 FRAME AND SUSPENS
GROUPE=13 CHASSIS ET SUSPEN

SUBGRUPO=BALLESTA DELAN 88 D
SUBGROUP=FRONT SPRING 88 D
SUBGROUPE=RESSORT AVANT 88 D

N.FIG	N.PIEZA	CAN	DENOMINACION	DESCRIPTION	DENOMINACION	C H A S I S
PLATE	PARTNUMBER	QTY				
N.FIG	N.PIECE	OUT				
1	264563	1	BALLESTA DELANT L D	FRONT SPRING R H	RESSORT AVANT C D	
	265459	2	HOJA MAESTRA	MAIN LEAF	LAME MAITRESSE	
	265460	2	HOJA SEGUNDA	2 AND LEAF	2 EME LAME	
	265627	1	BALLESTA DELANT L I	FRONT SPRING L H	RESSORT QUANT C G	
2	189465	2	PERNO	SPRING DOWEL	BOULON	
3	548275	4	CASQUILLO	BUSH	BAGUE	
4	NY108041	2	TUERCA	NUT	ECROU	
5	270521	2	PLACA	PLATE	PLAQUE	
6	537687E1	2	PLACA	PLATE	PLAQUE	
7	569740	2	CASQUILLO	BUSCH	BAGUE	
8	537742	4	TORNILLO	BOLT	BOULON	
9	252165	6	TUERCA	NUT	ECROU	
10	537743	2	TORNILLO	BOLT	BOULON	
11	264466	1	PLACA L I	PLATE L H	PLAQUE C G	
	264467	1	PLACA L D	PLATE R H	PLAQUE C D	
12	197175	8	TUERCA	NUT	ECROU	
13	569028	1	ABARCON	U BOLT	BRIDE	
14	543108	3	ABARCON	U BOLT	BRIDE	
15	168700	2	AMORTIGUADOR	SHOCK ABSORBER	AMORTISSEUR	
16	253830	2	TORNILLO	BOLT	BOULON	
17	243022	2	ARANDELA	WASHER	RONDELLE	
18	243057E2	8	GOMA	RUBBER	CAOUTCHOUC	
19	252167	2	TUERCA	NUT	ECROU	
20	4063	2	PASADOR	PIN	GOUJON	
21	264024	2	ARANDELA	WASHER	RONDELLE	
22	NRC3472	2	PLACA	PLATE	PLAQUE	

130003
130005
130007
130014
130402
130405
130409
130414
130417
130420
130422
130400
130401



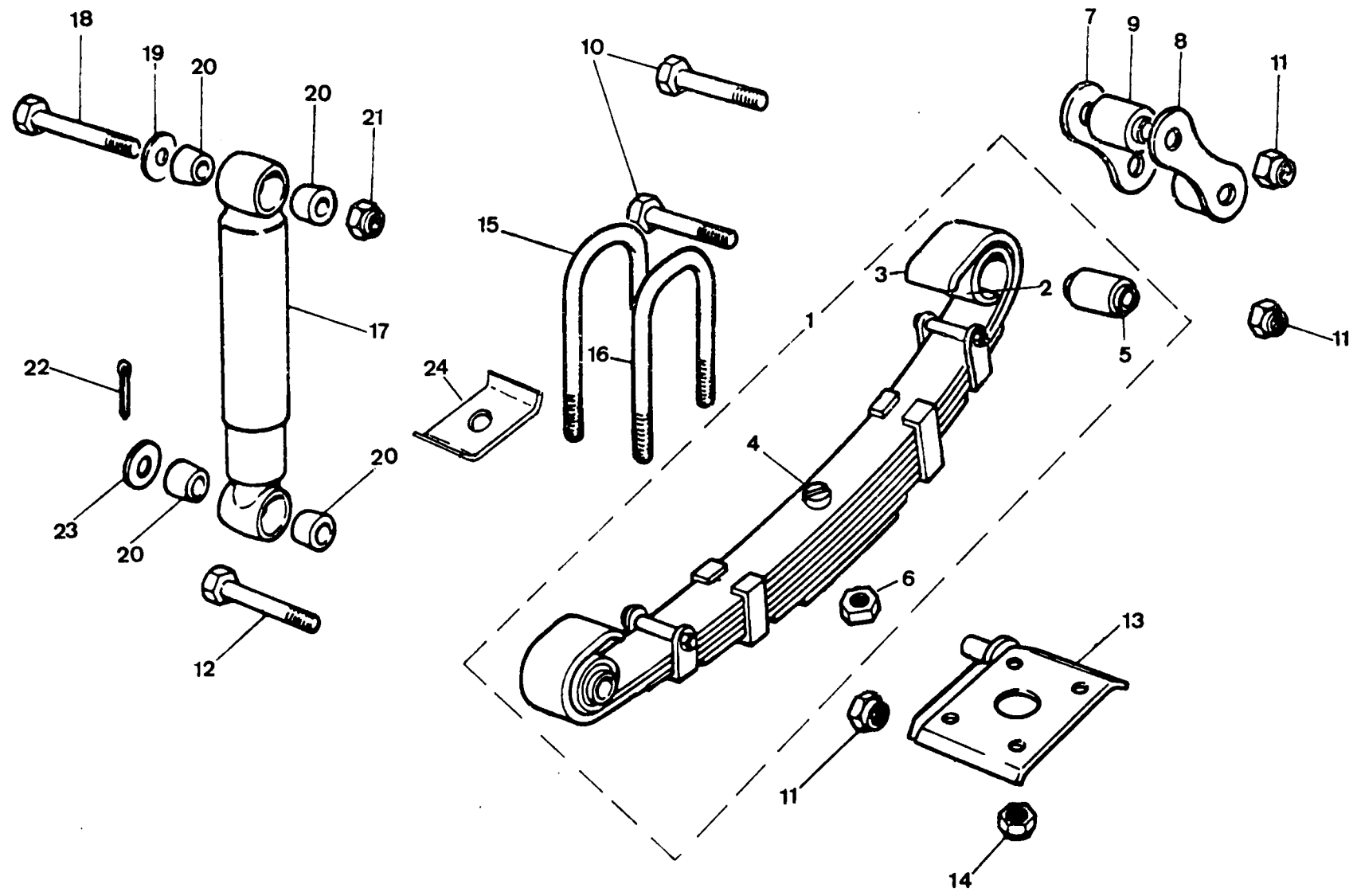
PUBLICACION N 880013
EDICION N 1

GRUPO=13 BASTIDOR Y SUSPEN
GROUP=13 FRAME AND SUSPENS
GROUPE=13 CHASSIS ET SUSPEN

SUBGRUPO=BALLESTA DEL 88LIG G
SUBGROUP=FRONT SPRING 88LIG P
SUBGROUPE=RESSORT AVANT88LIG E

N.FIG	N.PIEZA	CAN	DENOMINACION	DESCRIPTION	DENOMINATION	C H A S I S
PLATE	PARTNUMBER	QTY				
N.FIG	N.PIECE	OUT				
1	241283	1	BALLESTA DELANT L I	FRONT SPRING L H	RESSORT AVANT C G	
	242863	1	BALLESTA DELANT L D	FRONT SPRING R H	RESSORT AVANT C D	
	243125E2	2	HOJA MAESTRA	MAIN LEAF	LAME MAITRESSE	
	243126E2	2	HOJA SEGUNDA	2 AND LEAF	2 EME LAME	
2	189465	2	PERNO	SPRING DOWEL	BOULON	
3	548205	4	CASQUILLO	BUSCH	BAGUE	
4	NY108041	2	TUERCA	NUT	ECROU	
5	270520	2	PLACA	PLATE	PLAQUE	
6	537687E1	2	PLACA	PLATE	PLAQUE	
7	569740	2	CASQUILLO	BUSH	BAGUE	
8	537742	4	TORNILLO	BOLT	BOULON	
9	252165	6	TUERCA	NUT	ECROU	
10	537743	2	TORNILLO	BOLT	BOULON	
11	NRC3895F1	1	PLACA L I	PLATE L H	PLAQUE C G	
	NRC3896F1	1	PLACA L D	PLATE R H	PLAQUE C D	
12	81J502	8	TUERCA	NUT	ECROU	
13	NRC5007F1	1	ABARCON	U BOLT	BRIDE	
14	NRC5002F1	3	ABARCON	U BOLT	BRIDE	
15	168790	2	AMORTIGUADOR	SHOCK ABSORBER	AMORTISSEUR	
16	253830	2	TORNILLO	BOLT	BOULON	
17	243022	2	ARANDELA	WASHER	RONDELLE	
18	243057E2	8	GOMA	RUBBER	CAOUTCHOUC	
19	252163	2	TUERCA	NUT	ECROU	
20	4063	2	PASADOR	PIN	GOUJON	
21	264024	2	ARANDELA	WASHER	RONDELLE	
22	NRC3472	2	PLACA	PLATE	PLAQUE	

130411
130407
130419
130410
130415
130416
130418



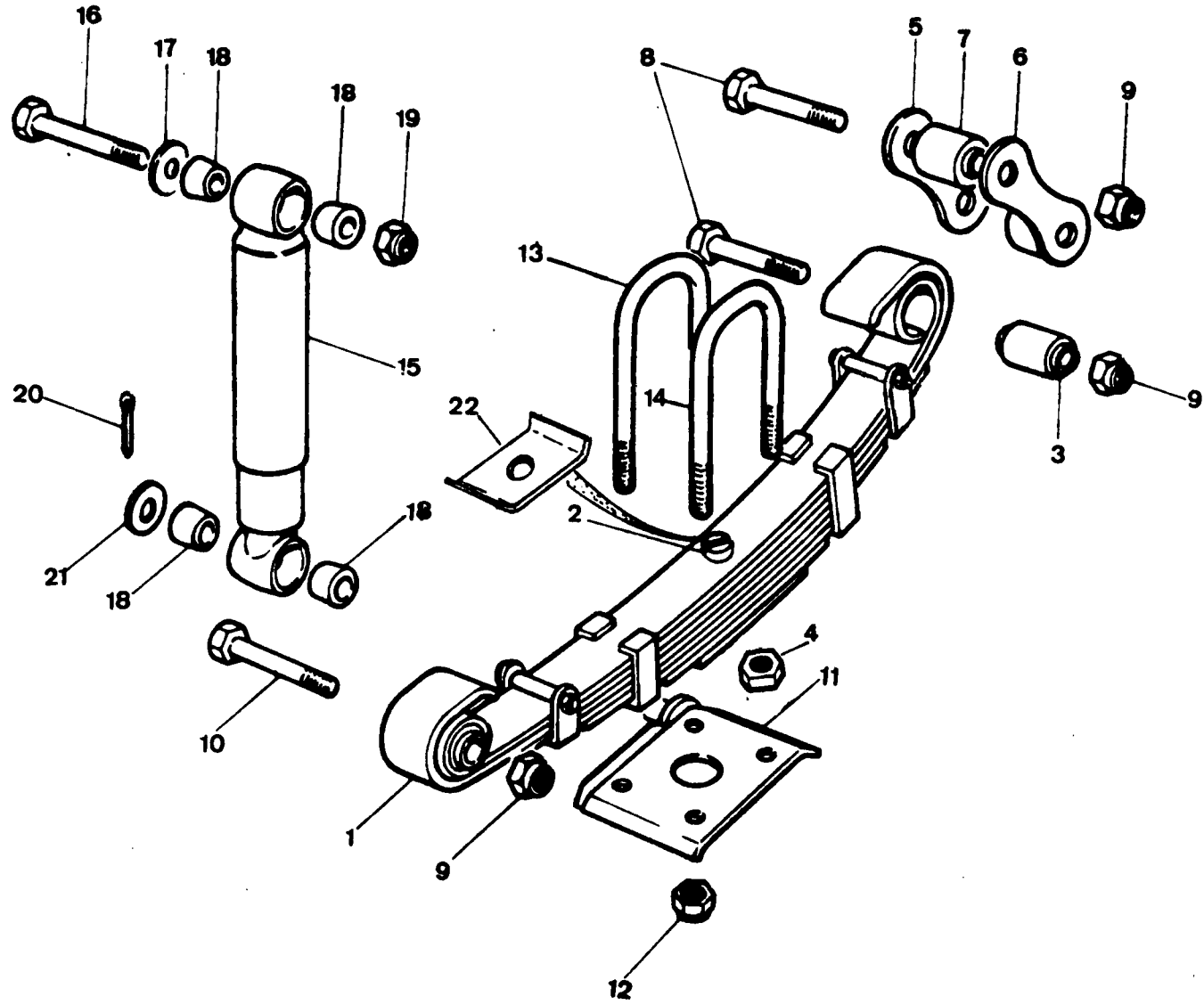
PUBLICACION N 880013
EDICION N 1

GRUPO=13 BASTIDOR Y SUSPEN
GROUP=13 FRAME AND SUSPENS
GROUPE=13 CHASSIS ET SUSPEN

SUBGRUPO=BALLESTA DEL 88LIG D
SUBGROUP=FRONT SPRING 88LIG D
SULGROUPE=RESSORT AVANT 88LIG D

N.FIG	N.PIEZA	CAN	DENOMINACION	DESCRIPTION	DENOMINATION	C H A S I S
PLATE	PARTNUMBER	QTY				
N.FIG	N.PIECE	OUT				
1	241283	1	BALLESTA DELANT L I	FRONT SPRING L H	RESSORT AVANT C G	
	242863	1	BALLESTA DELANT L D	FRONT SPRING R H	RESSORT AVANT C D	
2	243125E2	2	HOJA MAESTRA	MAIN LEAF	LAME MAITRESSE	
3	243126E2	2	HOJA SEGUNDA	2 AND LEAF	2 EME LAME	
4	189465	2	PERNO	SPRING DOWEL	BOULON	
5	548215	4	CASQUILLO	BUSH	BAGUE	
6	NY108041	2	TUERCA	NUT	ECROU	
7	270520	2	PLACA	PLATE	PLAQUE	
8	537687E1	2	PLACA	PLATE	PLAQUE	
9	569746	2	CASQUILLO	BUSH	BAGUE	
10	537742	4	TORNILLO	BOLT	BOULON	
11	252165	6	TUERCA	NUT	ECROU	
12	537743	2	TORNILLO	BOLT	BOULON	
13	NRC3891F2	1	PLACA L D	PLATE R H	PLAQUE C D	
	NRC3892F2	1	PLACA L I	PLATE L H	PLAQUE C G	
14	810502	8	TUERCA	NUT	ECROU	
15	NRC3888F1	1	ABARCON	U BOLT	BRIDE	
16	NRC3882F1	3	ABARCON	U BOLT	BRIDE	
17	168700	2	AMORTIGUADOR	SHOCK ABSORBER	AMORTISSEUR	
18	253830	2	TORNILLO	BOLT	BOULON	
19	243022	2	ARANDELA	WASHER	RONDELLE	
20	243057E2	8	GOMA	RUBBER	CAOUTCHOUC	
21	252163	2	TUERCA	NUT	ECROU	
22	4063	2	PASADOR	PIN	GOUJON	
23	264024	2	ARANDELA	WASHER	RONDELLE	
24	NRC3472	2	PLACA	PLATE	PLAQUE	

130003
130005
130007
130014
130402
130405
130409
130414
130417
130420
130422
130400
130401



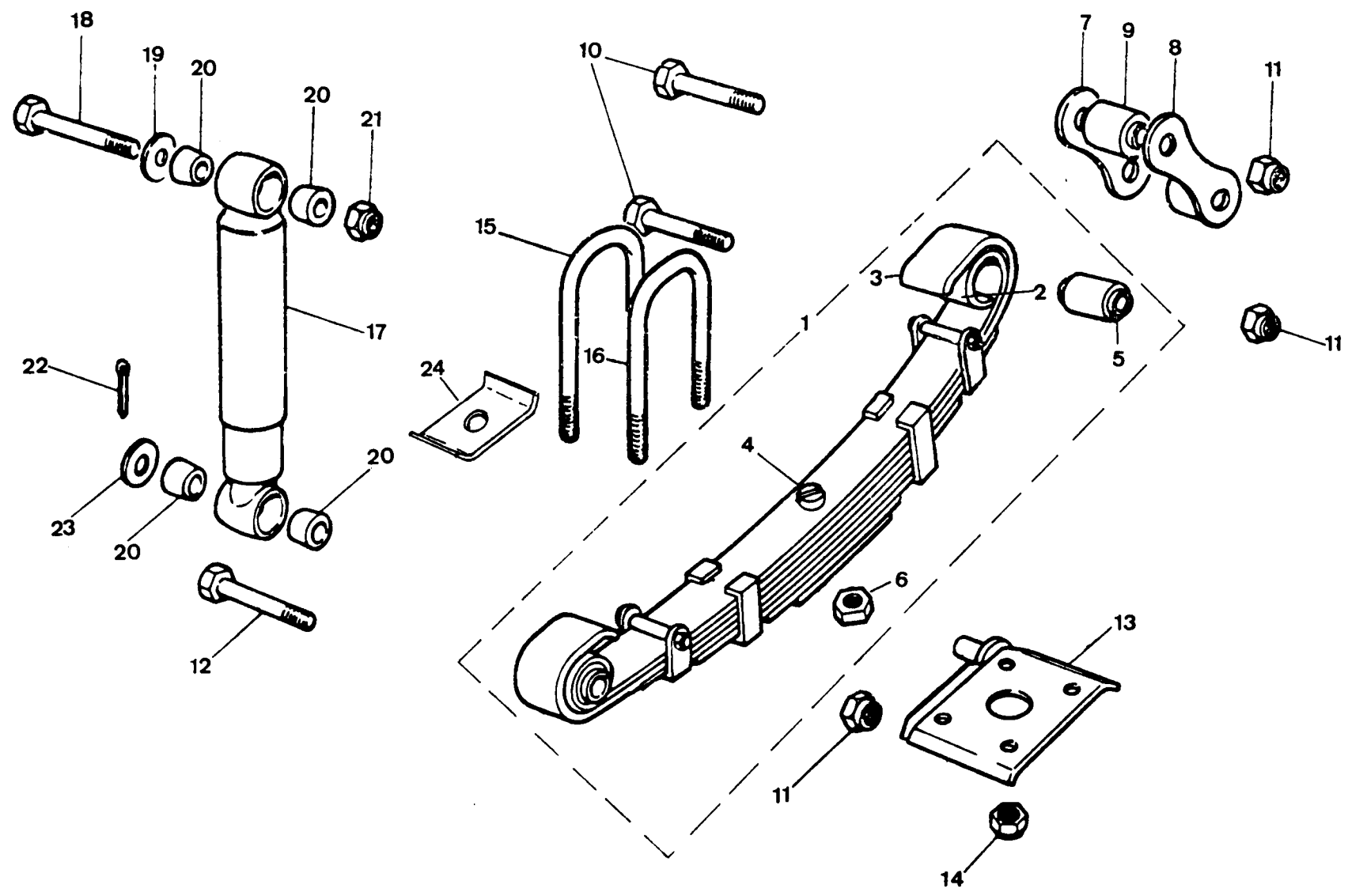
PUBLICACION N 880313
EDICION N 1

GRUPO=13 BASTIDOR Y SUSPEN
GROUP=13 FRAME AND SUSPENS
GRUPE=13 CHASSIS ET SUSPEN

SUBGRUPO=BALLESTA DELANT 109G
SUBGROUP=FRONT SPRING 109 F
SUBGROUPE=RESSORT AVANT 109 E

N.FIG	N.PIEZA	CAN	DENOMINACION	DESCRIPTION	DENOMINATION	C H A S I S
PLATE	PARTNUMBER	QTY				
N.FIG	N.PIECE	OUT				
1	264563	1	BALLESTA DELANTER LD	FRONT SPRING R H	RESSORT AVANT C D	
	265459	2	HOJA MAESTRA	MAIN LEAF	LAME MAITRESSE	
	265460	2	HOJA SEGUNDA	2 AND LEAF	2 EME LAME	
	265627	1	BALLESTA DELANTER LI	FRONT SPRING L H	RESSORT AVANT CG	
2	189465	2	TORNILLO	BOLT	BOULON	
3	548255	4	CASQUILLO	BUSH	BAGUE	
4	NY108041	2	TUERCA	NUT	ECROU	
5	147685	2	PLACA	PLATE	PLAQUE	
6	147684	2	PLACA	PLATE	PLAQUE	
7	577434	2	CASQUILLO	BUSH	BAGUE	
8	537742	4	TORNILLO	BOLT	BOULON	
9	252165	6	TUERCA	NUT	ECROU	
10	537747	2	TORNILLO	BOLT	BOULON	
11	264466	1	PLACA L I	PLATE L H	PLAQUE C F	
	264467	1	PLACA L D	PLATE R H	PLAQUE C D	
12	187175	8	TUERCA	NUT	ECROU	
13	569828	1	ABARGON	U BOLT	BRIDE	
14	543108	3	ABARGON	U BOLT	BRIDE	
15	167796	2	AMORTIGUADOR	SHOCK ABSORBER	AMORTISSEUR	
16	253631	2	TORNILLO	BOLT	BOULON	
17	243022	2	ARANDELA	WASHER	RONDELLE	
18	243057E2	8	GOMA	RUBBER	CAOUTCHOUC	
19	252163	2	TUERCA	NUT	ECROU	
20	4063	2	PASADOR	PIN	SOIJON	
21	264024	2	ARANDELA	WASHER	RONELLE	
22	NRC3472	2	PLACA	PLATE	PLAQUE	

130411
130407
130419
130410
130415
130416
130418



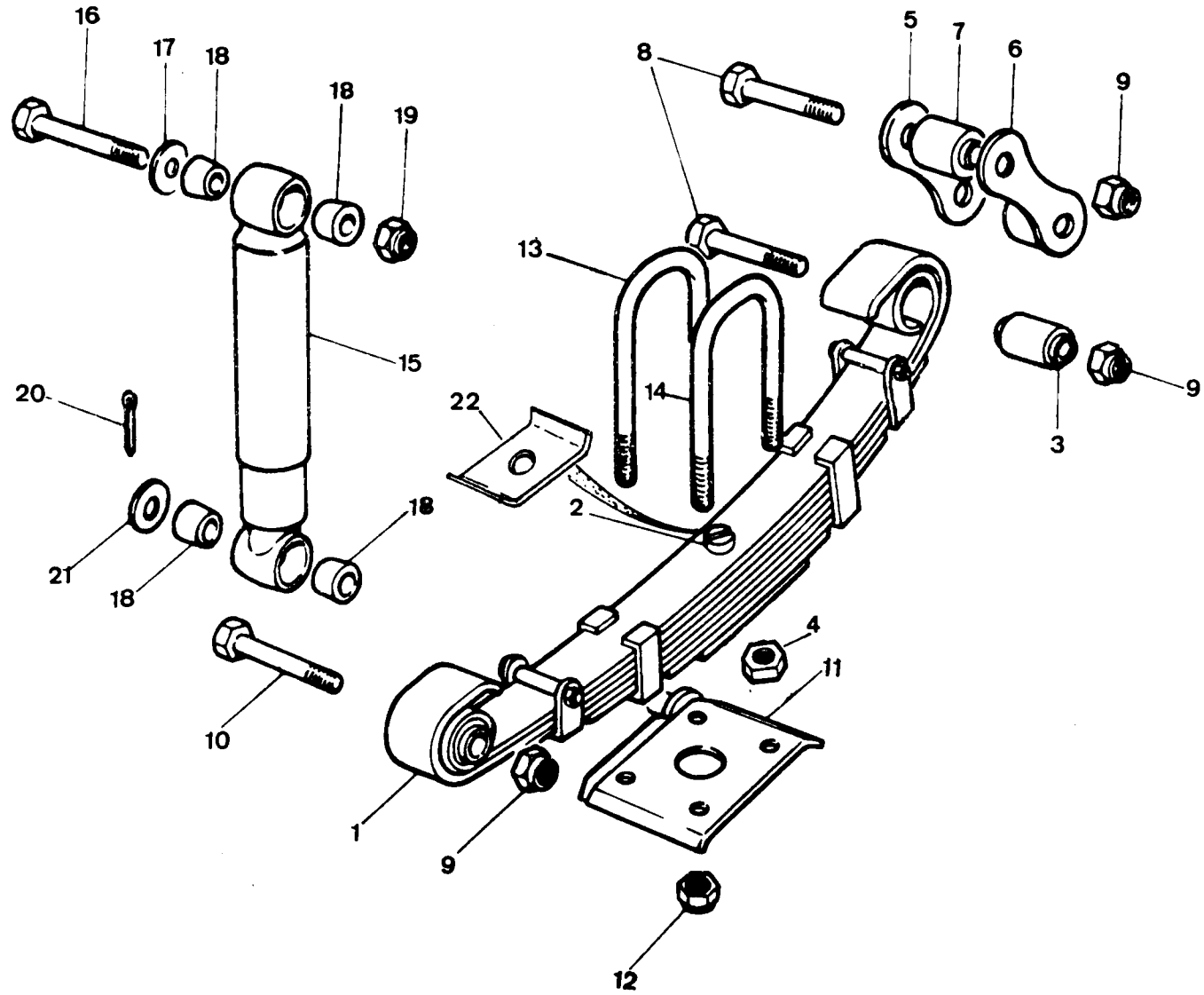
PUBLICACION N 891.13
EDICION N 1

GRUPO=13 BASTIDOR Y SUSPEN
GROUP=13 FRAME AND SUSPENS
GROUPE=13 CHASSIS ET SUSPEN

SUBGRUPO=BALLESTA DELAN 6C
SUBGROUP=FRONT SPRING 6C
SUBGROUPE=RESSORT AVANT 6C

N.FIG PLATE N.FIG	N.PIEZA PARTNUMBER N.PIECE	CAN QTY OUT	DENOMINACION	DESCRIPTION	DENOMINATION	C H A S I S
1	552828	1	BALLESTA DELANT L D	FRONT SPRING R H	RESSORT AVANT C D	
	552828K1	1	BALLESTA DELANT L I	FRONT SPRING L H	RESSORT AVANT C G	
2	193911	2	HOJA MAESTRA	MAIN LEAF	LAME MAITRESSE	
3	193912	2	HOJA SEGUNDA	C AND LEAF	2 EME LAME	
4	189465	2	PERNO	SPRING DOWEL	BOULON	
5	548215	4	CASQUILLO	BUSH	BAGUE	
6	NY118J41	2	TUERCA	NUT	ECROU	
7	147685	2	PLACA	PLATE	PLAQUE	
8	147684	2	PLACA	PLATE	PLAQUE	
9	577434	2	CASQUILLO	BUSH	BAGUE	
10	537742	4	TORNILLO	BOLT	BOULON	
11	252165	6	TUERCA	NUT	ECROU	
12	537743	2	TORNILLO	BOLT	BOULON	
13	264466	1	PLACA L I	PLATE L H	PLAQUE C G	
	264467	1	PLACA L D	PLATE R H	PLAQUE C D	
14	187175	8	TUERCA	NUT	ECROU	
15	543108	1	ABARCON	U BOLT	BRIDE	
16	569028	3	ABARCON	U BOLT	BRIDE	
17	594587	2	AMORTIGUADOR	SHOCK ABSORBER	AMORTISSEUR	
18	253831	2	TORNILLO	BOLT	BOULON	
19	243022	2	ARANDELA	WASHER	RONDELLE	
20	243057E2	8	GOMA	RUBBER	CAOUTCHOUC	
21	252163	2	TUERCA	NUT	ECROU	
22	4063	2	PASADOR	PIN	GOUJON	
23	264024	2	ARANDELA	WASHER	RONDELLE	
24	NRC3472	2	PLACA	PLATE	PLAQUE	

130003
130005
130007
130014
130402
130405
130409
130414
130417
130420
130422
130400
130401



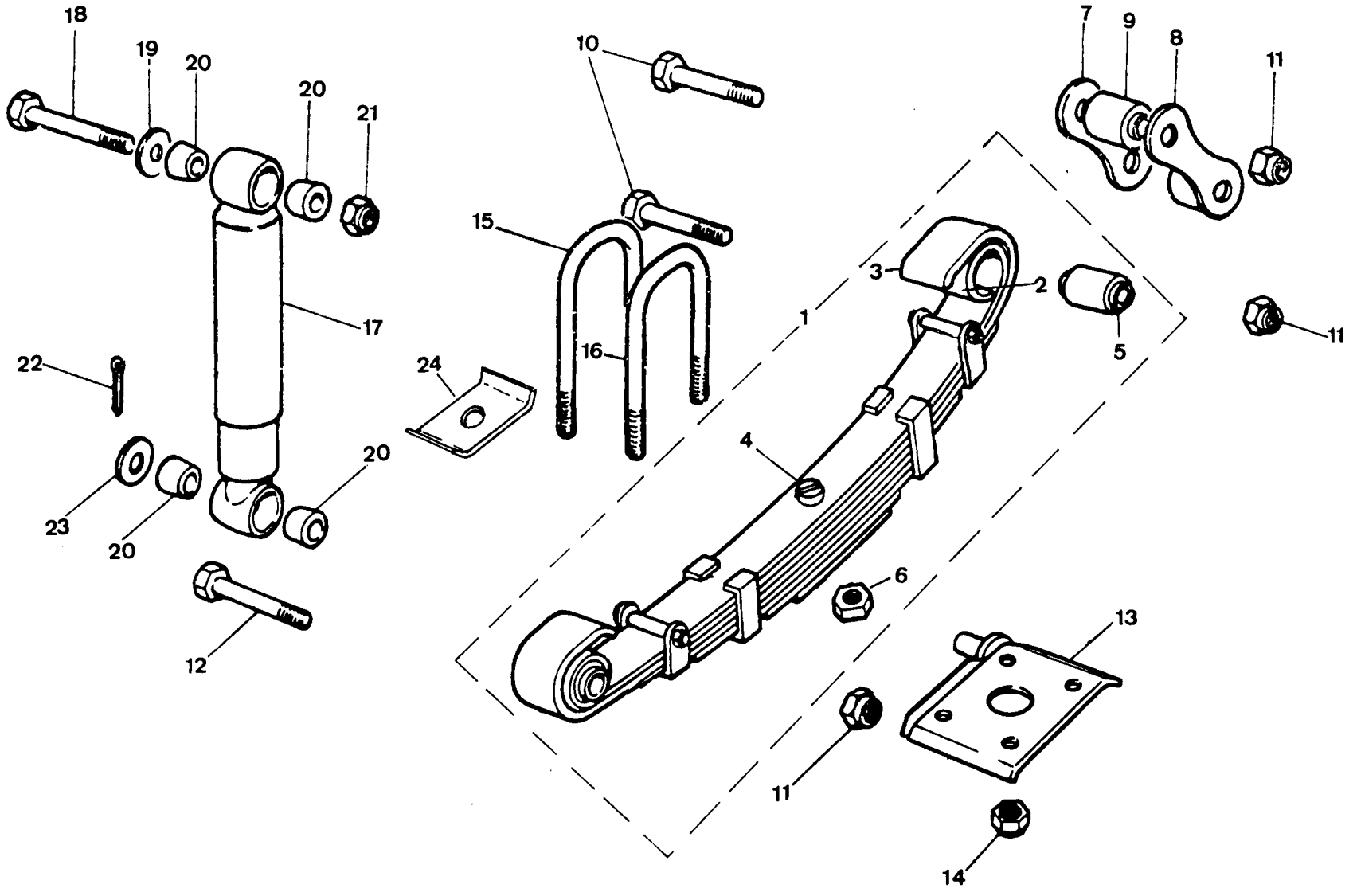
PUBLICACION N 880013
EDICION N 1

GRUPO=13 BASTIDOR Y SUSPEN
GROUP=13 FRAME AND SUSPENS
GROUPE=13 CHASSIS ET SUSPEN

SUBGRUPO=BALLESTA DELAN 109 D
SUBGROUP=FRONT SPRING 109 D
SUBGROUPE=RESSORT AVANT 109 D

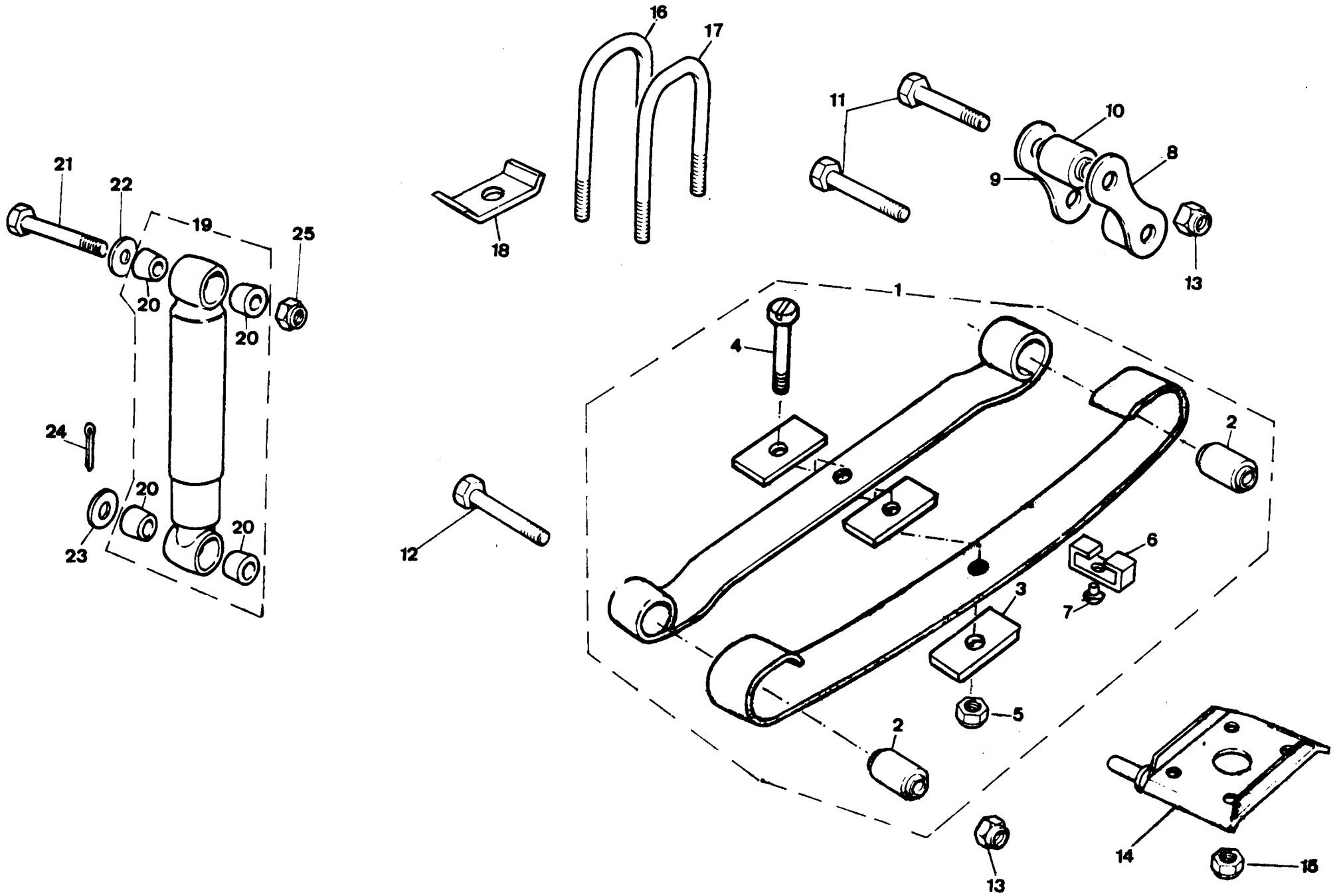
N.FIG PLATE	N.PIEZA PARTNUMBER	CAN QTY	DENOMINACION	DESCRIPTION	DENOMINATION	C H A S I S
1	265459	2	HOJA MAESTRA	MAIN LEAF	LAME MAITRESSE	
	265460	2	HOJA SEGUNDA	2 AND LEAF	2 EME LAME	
	265627	1	BALLESTA DELANTER LD	FRONT SPRING RH	RESSORT AVANT CD	
	276034	1	BALLESTA DELANTER LI	FRONT SPRING LH	RESSORT AVANT CG	
2	189465	2	TORNILLO	BOLT	BOULON	
3	548215	4	CASQUILLO	BUSCH	BAGUE	
4	NY108041	2	TUERCA	NUT	ECROU	
5	147685	2	PLACA	PLATE	PLAQUE	
6	147684	2	PLACA	PLATE	PLAQUE	
7	577434	2	CASQUILLO	BUSH	BAGUE	
8	537742	4	TORNILLO	BOLT	BOULON	
9	252165	6	TUERCA	NUT	ECROU	
10	537743	2	TORNILLO	BOLT	BOULON	
11	264466	1	PLACA L I	PLATE L H	PLAQUE C G	
	264467	1	PLACA L D	PLATE R H	PLAQUE C D	
12	187175	8	TUERCA	NUT	ECROU	
13	569028	1	ABARCON	U BOLT	BRIDE	
14	543108	3	ABARCON	U BOLT	BRIDE	
15	167796	2	AMORTIGUADOR	SHOCK ABSORBER	AMORTISSEUR	
16	253831	2	TORNILLO	BOLT	BOULON	
17	243022	2	ARANDELA	WASHER	RONDELLE	
18	243057E2	8	GOMA	RUBBER	CAOUTCHOUC	
19	252163	2	TUERCA	NUT	ECROU	
20	4063	2	PASADOR	FIN	GOUJON	
21	254024	2	ARANDELA	WASHER	RONDELLE	
22	NP03472	2	PLACA	PLATE	PLAQUE	

130411
130407
130419
130410
130415
130416
130418



PUBLICACION N 990013
EDICION N 1GRUPO=17 BASTIDOR Y SUSPEN
GRUPE=13 FRAME AND SUSPENS
GRUPE=17 CHASSIS ET SUSPENSUBGRUPO=BALLESTA DELAN CAZOR
SUBGRUPE=FRONT SPRING CAZORLA
SUBGRUPE=RESSORT AVANT CAZORL

N.FIG	N.PIEZA	CAN	DENOMINACION	DESCRIPTION	DENOMINATION	C H A S I S
PLATE	PARTNUMBER	QTY				
N.FIG	N.PIECE	QTY				
1	265627K1	1	BALLESTA DELANT L D	FRONT SPRING R H	RESSORT AVANT C D	
	276034	1	BALLESTA DELANT L I	FRONT SPRING L H	RESSORT AVANT C G	
2	265459	2	HOJA MAESTRA	MAIN LEAF	LAME MAITRESSE	
3	265467	2	HOJA SEGUNDA	2 AND LEAF	2 EME LAME	
4	189465	2	PERNO	SPRING DOWEL	BOULON	
5	546205	4	CASCUILLO	BUSH	RAGUE	
6	NY118041	2	TUERCA	NUT	ECROU	
7	147685	2	PLCA	PLATE	PLAQUE	
8	147684	2	PLCA	PLATE	PLAQUE	
9	577434	2	CASCUILLO	BUSH	RAGUE	
10	537742	4	TORNILLO	BOLT	BOULON	
11	252165	6	TUERCA	NUT	ECROU	
12	537743	2	TORNILLO	BOLT	BOULON	
13	264466	1	PLACA L I	PLATE L H	PLAQUE C G	
	264467	1	PLACA L D	PLATE R H	PLAQUE C D	
14	187175	8	TUERCA	NUT	ECROU	
15	543108	1	ABARCON	U BOLT	BRIDE	
16	569028	3	ABARCON	U BOLT	BRIDE	
17	594587	2	AMORTIGUADOR	SHOCK ABSORBER	AMORTISSEUR	
18	253831	2	TORNILLO	BOLT	BOULON	
19	243027	2	ARANDELA	WASHER	RONDELLE	
20	243057E2	8	GOMA	RUBBER	CAOUTCHOUC	
21	252163	2	TUERCA	NUT	ECROU	
22	4063	2	PASADOR	PIN	GOUJON	
23	264024	2	ARANDELA	WASHER	RONDELLE	
24	NRCS472	2	PLACA	PLATE	PLAQUE	

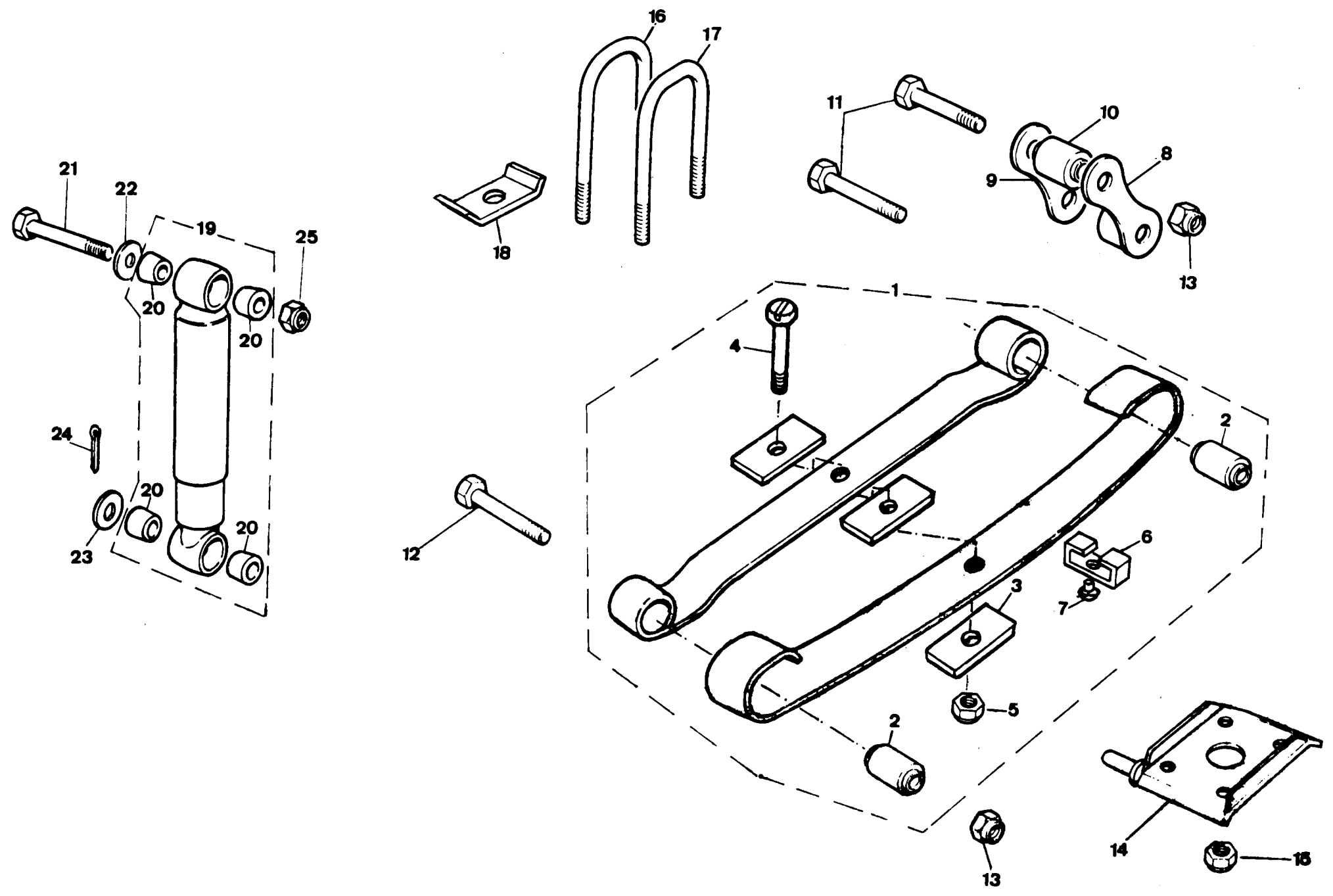


PUBLICACION N 880213
EDICION N 1

GRUPO=13 BASTIDOR Y SUSPEN
GROUP=13 FRAME AND SUSPENS
GROUPE=13 CHASSIS ET SUSPEN

SUBGRUPO=BALLESTA DELANTERA
SUBGROUP=FRONT SPRING
SUEGROUPE=RESSORT AVANT

N.FIG	N.PIEZA	CAN					
PLATE	PARTNUMBER	QTY	DENOMINACION	DESCRIPTION	DENOMINATION	C H A S I S	
N.FIG	N.PIECE	OUT					
1	163767	1	BALLESTA DE LI 88SUP	FRONT SPRIN LH 88SUP	RESSORT AVA CG 88SUP		
	163768	1	BALLESTA DE LD 88SUP	FRONT SPRIN RH 88SUP	RESSORT AVA CD 88SUP		
	169795	1	BALLES LI 109SUP CAZ	FRONT LH 109SUP CAZ	RESSOR CG 109SUP CAZ		
	169796	1	BALLES LD 109SUP CAZ	FRONT RH 109SUP CAZ	RESSOR CD 109SUP CAZ		
2	548215	4	CASQUILLO	BUSH	BAGUE		
3	194460	6	GOMA	RUBBER	CAOUTCHOUC		
4	163714	2	TORNILLO	BOLT	BOULON		
5	194395	2	TUERCA	NUT	ECROU		
6	194393	4	BRIDA	FLANGE	BRIDE		
7	194394	4	REMACHE	RIVET	RIVET		
8	147684	2	PLACA 109SUPER CAZOR	PLATE 109SUPER CAZOR	PLAQUE 109SUPER CAZO		
	537687E1	2	PLACA 88SUPER	PLATE 88SUPER	PLAQUE 88SUPER		
9	147685	2	PLACA 109SUPER CAZOR	PLATE 109 SUPER CAZO	PLAQUE 109SUPER CAZO		
	27J521	2	PLACA 88 SUPER	PLATE 88 SUPER	PLAQUE 88SUPER		
10	569746	2	CASQUILLO	BUSH	BAGUE		
11	537742	4	TORNILLO	BOLT	BOULON		
12	537743	2	TORNILLO	BOLT	BOULON		
13	252165	6	TUERCA	NUT	ECROU		
14	NRC3891F2	1	PLACA LI CAZORLA	PLATE LH CAZORLA	PLAQUE CG CAZORLA		
	NRC3895F1	1	PLACA LD 88 SUP	PLATE RH 88 SUP	PLAQUE CD 88 SUP		
	NRC3896F1	1	PLACA LI 88 SUP	PLATE LH 88 SUP	PLAQUE CG 88 SUP		
	169786	1	PLACA L D CAZORLA	PLATE RH CAZORLA	PLAQUE C D CAZORLA		
	264466K2	1	PLACA L I 109 SUPER	PLATE L H 109 SUPER	PLAQUE C G 109 SUPER		
	264467K2	1	PLACA LD 109 SUPER	PLATE RH 109 SUPER	PLAQUE CD 109 SUPER		
15	310517	8	TUERCA	NUT	ECROU		
16	162703	3	ABAFCCN	U BOLT	BRIDE		
17	162701	1	ABARCON CAZORLA	U BOLT CAZORLA	BRIDE CAZORLA		
	162785	1	ABA 88 SUP 109 SUP	U B 88SUP 109SUP	BRI 88 SUP 109 SUP		
18	NRC3472	2	PLACA	PLATE	PLAQUE		
19	162792	2	AMORTISUAD 88 SUP	SHOCK ASSO 88 SUP	AMORTISSEU 88 SUP		
	169795	2	AMORTIG CAZOR 109SUP	SHOCK A CAZOR 109SUP	AMORTIS CAZOR 109SUP		
20	243057E2	8	GOMA	RUBBER	CAOUTCHOUC		
21	253631	2	TORNILLO	BOLT	BOULON		
22	243022	2	ARANDELA	WASHER	RONDELLE		



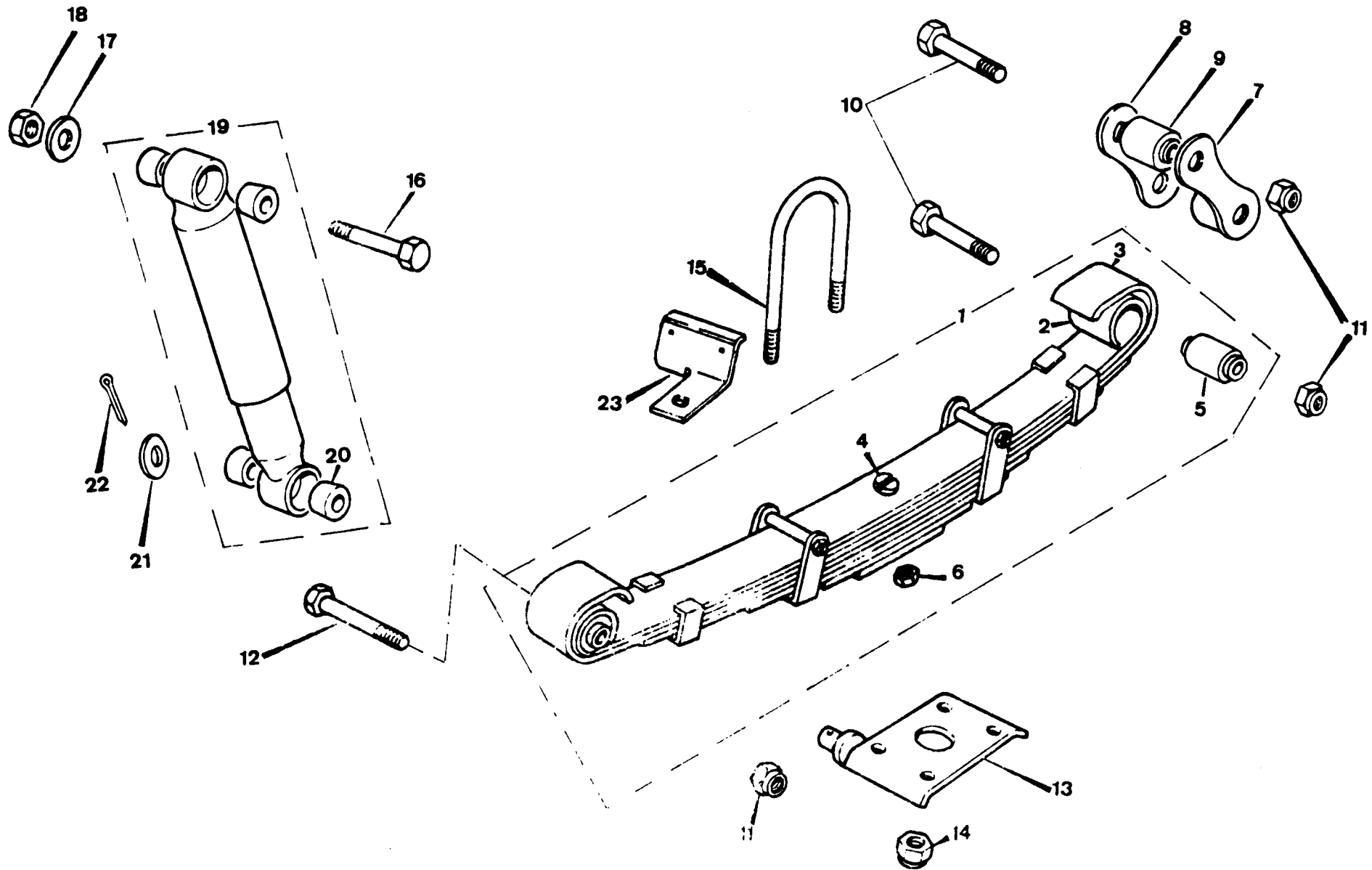
PUBLICACION N 88 J013
EDICION N 1

GRUPO=17 BASTIDOR Y SUSPEN
GRUPO=17 FRAME AND SUSPENS
GRUPO=17 CHASSIS ET SUSPEN

SUBGRUPO=BALLESTA DELANTERA
SUBGRUPO=FRONT SPRING
SUBGRUPO=RESSORT AVANT

N.FIG	N.PIEZA	CAN				
PLATE	PARTNUMBER	QTY				
N.FIG	N.PIECE	OUT	DENOMINACION	DESCRIPTION	DENOMINATION	C H A S I S
23	264024	2	ARANDELA	WASHER	RONDELL	
24	4063	2	PASADOR	PIN	GOUPILLE	
25	252163	2	TUERCA	NUT	ECROU	

130507
130510

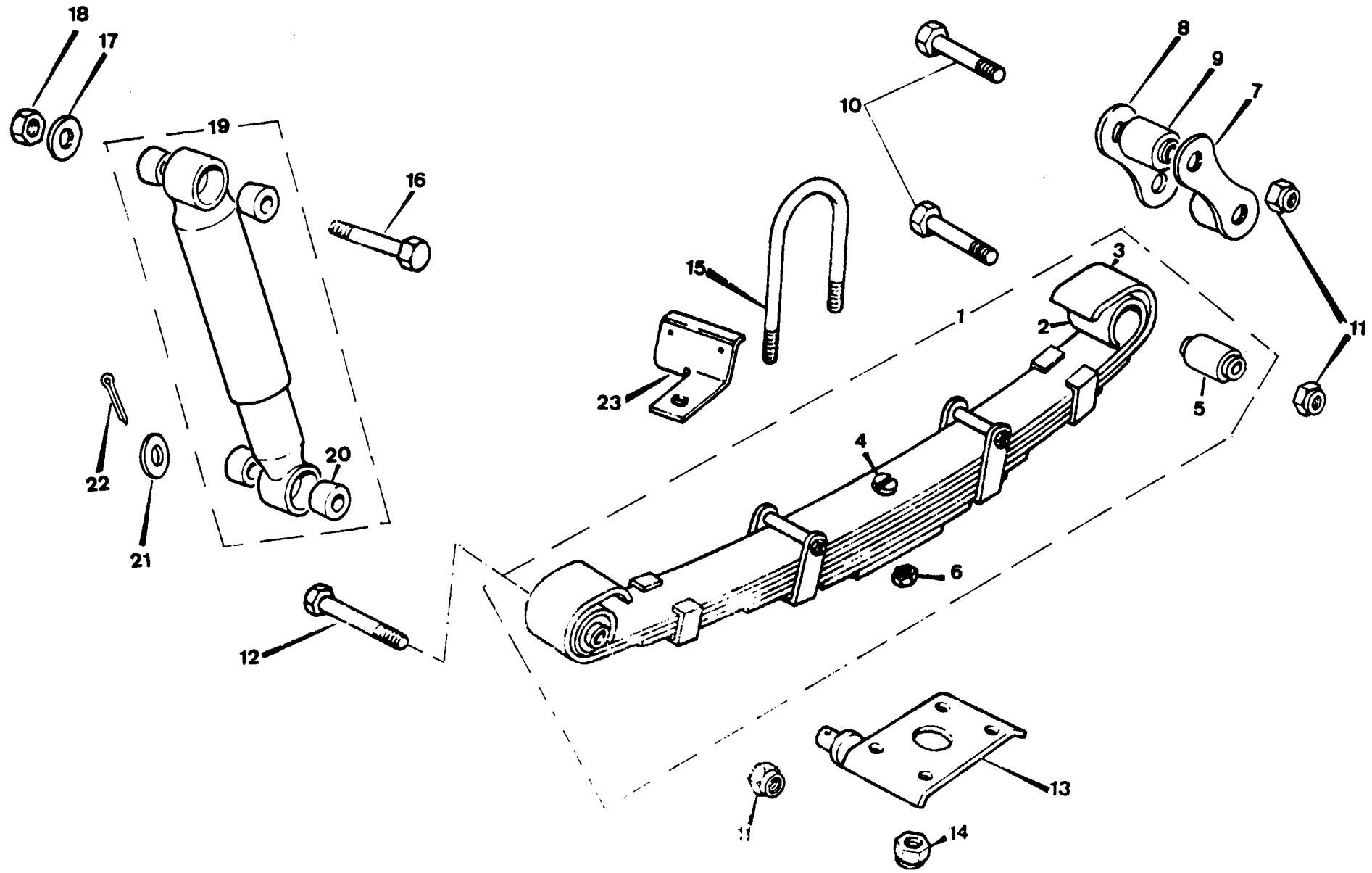


PUBLICACION N 88J013
EDICION N 1

GRUPO=13 BASTIDOR Y SUSPEN
GROUP=13 FRAME AND SUSPENS
GROUPE=13 CHASSIS ET SUSPEN

SUBGRUPO=BALLESTA TRA88 88LIG
SUBGROUP=REAR SPRING 88 88LIG
SUBGROUPE=RESSORT ARR 88 88LIG

N.FIG PLATE N.FIG	N.PIEZA PARTNUMBER N.PIECE	CAN QTY OUT	DENOMINACION	DESCRIPTION	DENOMINATION	C H A S I S
1	517588	1	BALLESTA TRASER L I	REAR SPRING L H	RESSORT ARRIERE C G	
	517589	1	BALLESTA TRASERA L D	REAR SPRING R H	RESSORT ARRIERE C D	
2	243123E2	1	HOJA MAESTRA	MAIN LEAF	LAME MAITRESSE	
3	243124E2	1	HOJA SEGUNDA	2 AND LEAF	2 EME LAME	
4	189463	2	PERNO	SPRING DWEL	BOULON	
5	548275	4	CASQUILLO	BUSH	BAGUE	
6	NY108041	2	TUERCA	NUT	ECROU	
7	537686	2	PLACA	PLATE	PLAQUE	
8	244162	2	PLACA	PLATE	PLAQUE	
9	548275	2	CASQUILLO	BUSH	BAGUE	
10	537741	4	TORNILLO	BOLT	BOULON	
11	252165	6	TUERCA	NUT	ECROU	
12	537743	2	TORNILLO	BOLT	BOULON	
13	NRC3897F1	1	PLACA L D	PLATE R H	PLAQUE C D	
	NRC3898F1	S-N	PLACA L I	PLATE L H	PLAQUE C G	
14	810502	8	TUERCA	NUT	ECROU	
15	NRC3885F1	4	ABARCON	V BOLT	BRIDE	
16	253831	2	TORNILLO	BOLT	BOULON	
17	243022	2	ARANDELA	WASHER	RONDELLE	
18	252167	2	TUERCA	NUT	ECROU	
19	167799	2	AMORTIGUADOR	SHOCK ABSORBER	AMORTISSEUR	
20	243757E2	4	GOMA	RUBBER	CAOUTCHOUC	
21	264224	2	ARANDELA	WASHER	RONDELLE	
22	4063	2	PASADOR	PIN	GOUPILLE	
23	NRC3448	1	PROTECCION L D	SHIELD R H	PROTECTION C D	
	NRC3449	1	PROTECCION L I	SHIELD L H	PROTECTION C G	



PUBLICACION N 880013
EDICION N 1

GRUPO=17 BASTIDOR Y SUSPEN
GROUP=17 FRAME AND SUSPENS
GROUPE=13 CHASSIS ET SUSPEN

SUBGRUPO=BALLESTA TRASERASUPER
SUBGROUP=REAR SPRING 88 SUPER
SUBGROUPE=RESSORT ARRIB8 SUPER

N.FIG	N.PIEZA	CAN	DENOMINACION	DESCRIPTION	DENOMINATION	C H A S I S
PLATE	PARTNUMBER	QTY				
N.FIG	N.PIECE	OUT				
1	279678	1	BALLESTA TRASERA L I	REAR SPRING L H	RESSORT ARRIERE C G	
	279679	1	BALLESTA TRASERA L D	REAR SPRING R H	RESSORT APRIERE C D	
2	5J1390E2	1	HOJA MAESTRA	MAIN LEAF	LAME MAITRESSE	
3	5J1391	1	HOJA SEGUNDA	2 AND LEAF	2 EME LAME	
4	189463	2	PERNO	SPRING BOWEL	BOULON	
5	548205	4	CASQUILLO	BUSH	BAGUE	
6	NY108041	2	TUERCA	NUT	ECROU	
7	537686	2	PLACA	PLATE	PLAQUE	
8	244167	2	PLACA	PLATE	PLAQUE	
9	548205	2	CASQUILLO	BUSH	BAGUE	
10	537747	4	TORNILLO	BOLT	BOULON	
11	252165	6	TUERCA	NUT	ECROU	
12	537747	2	TORNILLO	BOLT	BOULON	
13	NRC3897F1	1	PLACA L D	PLATE R H	PLAQUE C D	
	NRC3898F1	S-N	PLACA L I	PLATE L H	PLAQUE C G	
14	810502	8	TUERCA	NUT	ECROU	
15	NRC3885F1	4	ABARCON	U BOLT	BRIDE	
16	253831	2	TORNILLO	BOLT	BOULON	
17	243022	2	ARANDELA	WASHER	RONDELLE	
18	252163	2	TUERCA	NUT	ECROU	
19	167799	2	AMORTIGUADOR	SHOCK ABSORBER	AMORTISSEUR	
20	243057E2	4	GOMA	RUBBER	CAOUTCHOUC	
21	264024	2	ARANDELA	WASHER	RONDELLE	
22	4063	2	PASADOR	PIN	GOUPILLE	
23	NRC3448	1	PROTECCION L D	SHIELD R H	PROTECTION C D	
	NRC3449	1	PROTECCION L I	SHIELD L H	PROTECTION C G	

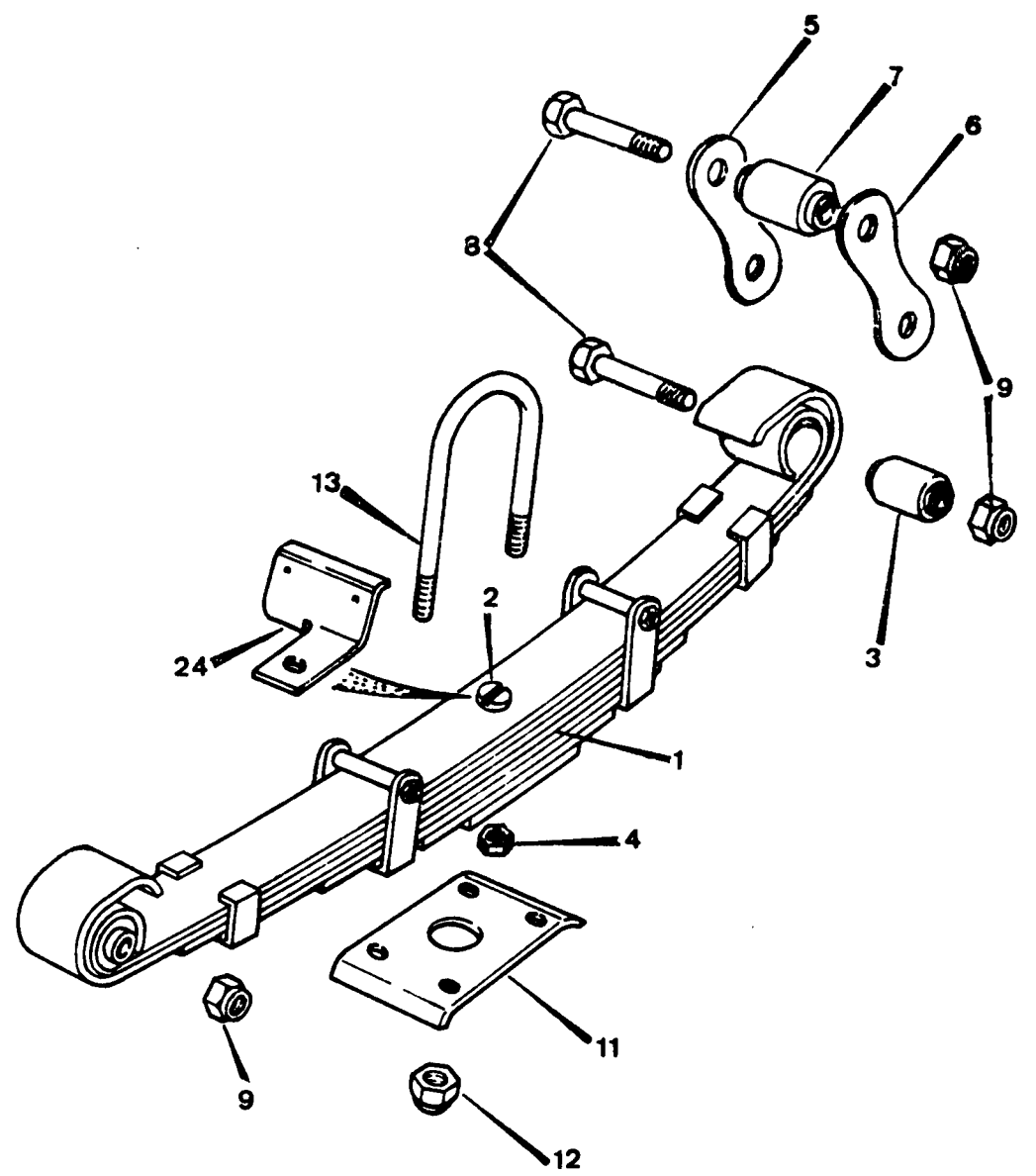
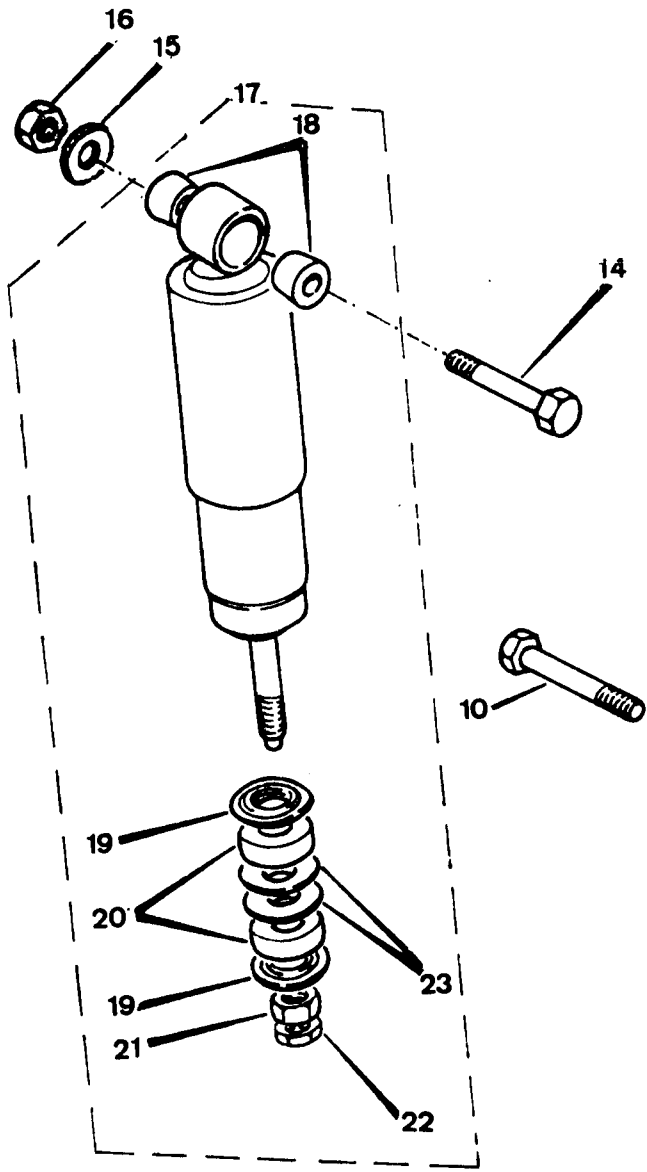
PUBLICACION N 88 1013
EDICION N 1

GRUPO=13 BASTIDOR Y SUSPEN
GROUP=13 FRAME AND SUSPENS
GROUPE=13 CHASSIS ET SUSPEN

SUBGRUPO=BALLESTA TRAS 109 4C
SUBGROUP=REAR SPRING 109 4C
SULGROUPE=RESSORT ARRIE 109 4C

N.FIG	N.PIEZA	CAN				Nº DE EJE
PLATE	PARTNUMBER	QTY				AXLE No.
N.FIG	N.PIECE	OUT	DENOMINACION	DESCRIPTION	DENOMINATION	Nº PONT
1	279678	1	BALLESTA TRASERA L	REAR SPRING L H	RESSORT ARRIERE C G	
	279679	1	BALLESTA TRASERA L D	REAR SPRING R H	RESSORT ARRIERE C D	
	501390E2	2	HOJA MAESTRA	MAIN LEAF	LAME MAITRESSE	
	501391E2	2	HOJA SEGUIDA	2 AND LEAF	2 EME LAME	
2	189483	2	PERNO	SPRING DOWEL	BOULON	
3	548285	4	CASCUJLLO	BUSH	BAGUE	
4	NY118041	2	TUERCA	NUT	ECROU	
5	279978	2	PLACA	PLATE	PLAQUE	
6	537688	2	PLACA	PLATE	PLAQUE	
7	548209	6	CASCUJLLO	BUSH	BAGUE	
8	537741	4	TORNILLO	BOLT	BOULON	
9	252169	6	TUERCA	NUT	ECROU	
10	537741	2	TORNILLO	BOLT	BOULON	
11	162784	2	PLACA	PLATE	PLAQUE	D E51388891
	265642	2	PLACA	PLATE	PLAQUE	H E51388890
12	187175	8	TUERCA	NUT	ECROU	H E51388890
	810502	8	TUERCA	NUT	ECROU	D E51388891
13	NRC3885F1	4	ABARCON	U BOLT	BRIDE	
	242127	4	ABARCON	U BOLT	BRIDE	H E51388890
14	253924	2	TORNILLO	BOLT	BOULON	
15	243022	2	ARANDELA	WASHER	RONDELLE	
16	252163	2	TUERCA	NUT	ECROU	
17	167791	2	AMORTIGUADOR	SHOCK ABSORBER	AMORTISSEUR	
18	243057E2	4	GOMA	RUBBER	CAOUTCHOUC	
19	508895	4	ARANDELA	WASHER	RONDELLE	
20	508896E2	4	GOMA	RUBBER	CAOUTCHOUC	
21	587914	2	TUERCA	NUT	ECROU	
22	588016	2	TUERCA	NUT	ECROU	
23	508895	4	ARANDELA	WASHER	RONDELLE	
24	NRC3448	1	PROTECCION L D	SHIELD R H	PROTECTION C D	
	NRC3449	1	PROTECCION L I	SHIELD L H	PPOTECTION C G	

130015
130511
130515
130518
130501



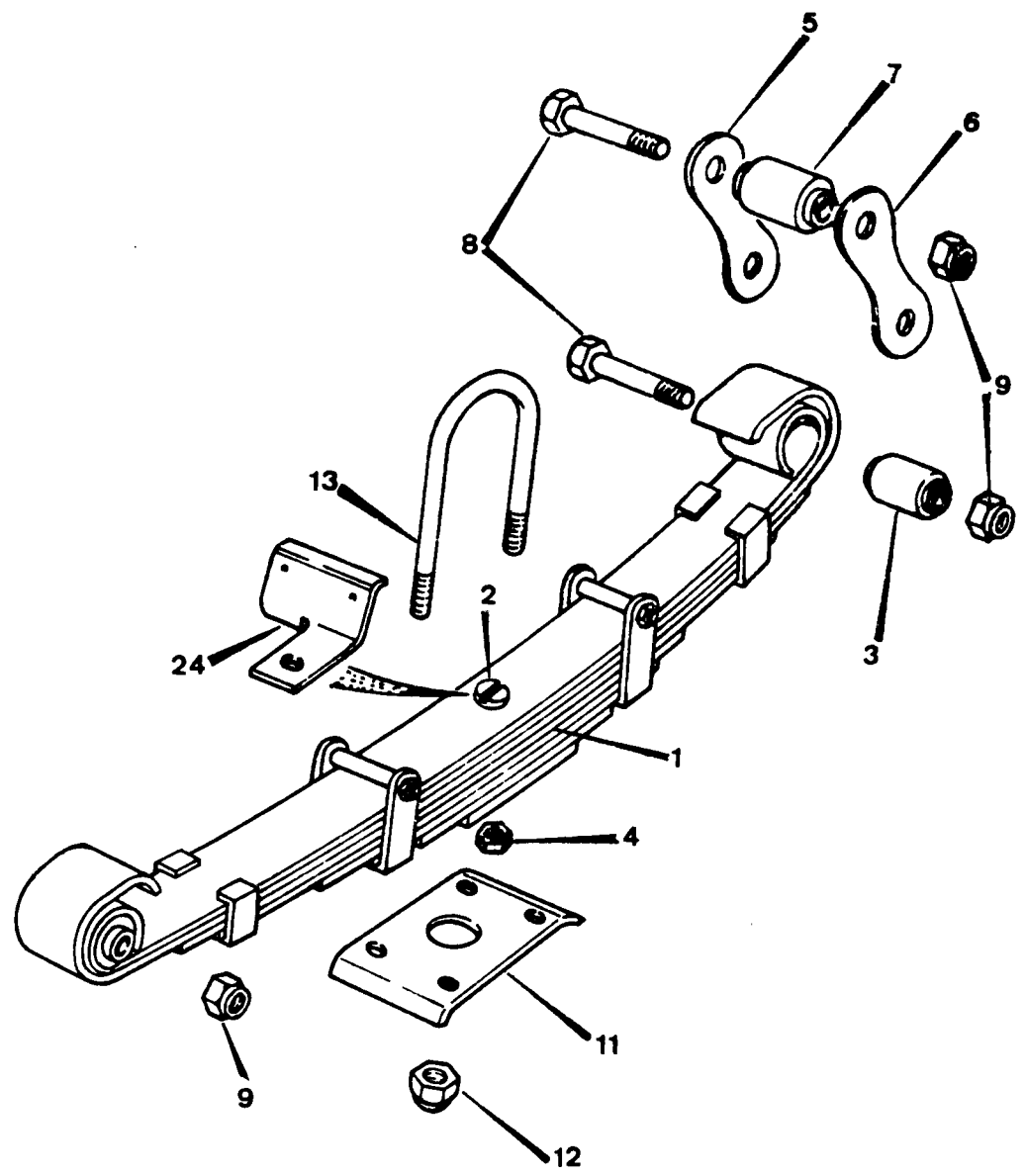
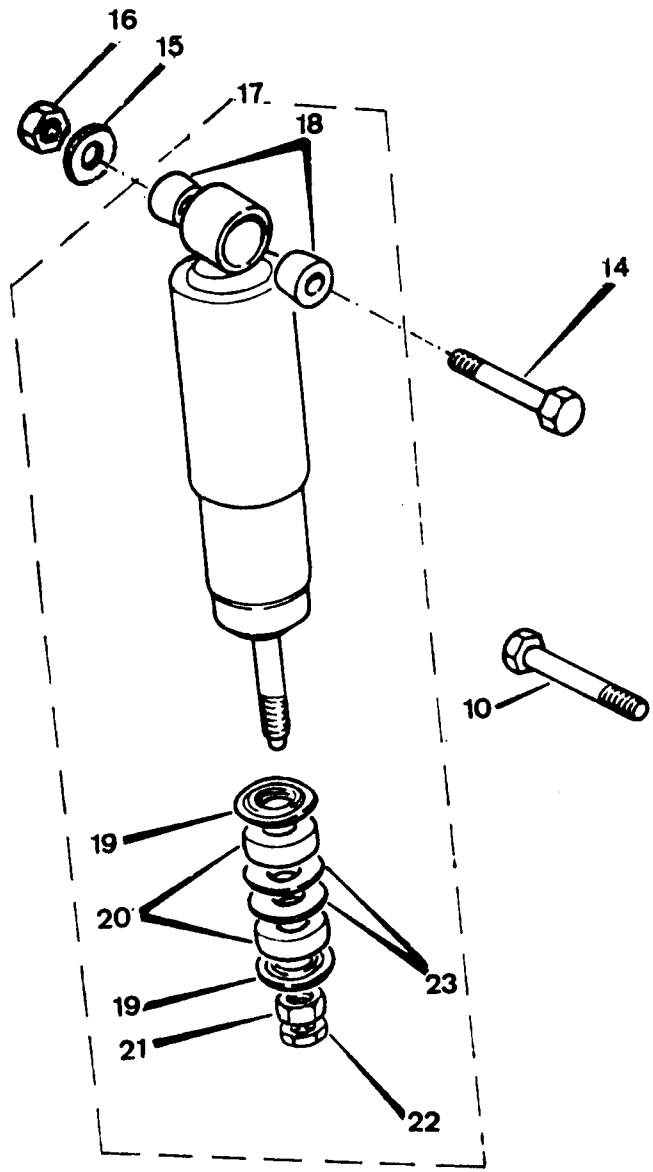
PUBLICACION N 880013
EDICION N 1

GRUPO=13 BASTIDOR Y SUSPEN
GROUP=13 FRAME AND SUSPENS
GROUPE=13 CHASSIS ET SUSPEN

SUBGRUPO=BALLESTA TRASERA 6C
SUBGROUP=REAR SPRING 6C
SUBGROUPE=RESSORT ARRIERE 6C

N.FIG PLATE N.FIG	N.PIEZA PARTNUMBER N.PILCE	CAN QTY OUT	DENOMINACION	DESCRIPTION	DENOMINATION	C H A S I S
1	169728	1	BALLESTA TRASERA L D	REAR SPRING , R H	RESSORT ARRIERE C D	
	169731	1	BALLESTA TRASERA L J	REAR SPRING L H	RESSORT ARRIERE C G	
	193919	2	HOJA MAESTRA	MAIN LEAF	LAME MAITRESSE	
	193910	2	HOJA SEGUNDA	2 AND LEAF	2 EME LAME	
2	189463	2	PERNO	SPRING DOWEL	BOULON	
3	548215	4	CASQUILLO	BUSH	BAGUE	
4	NY118041	2	TUERCA	NUT	ECROU	
5	279971	2	PLACA	PLATE	PLAQUE	
6	537685	2	PLACA	PLATE	PLAQUE	
7	548209	2	CASQUILLO	BUSH	BAGUE	
8	537741	4	TORNILLO	BOLT	BOULON	
9	252165	6	TUERCA	NUT	ECROU	
10	537741	2	TORNILLO	BOLT	BOULON	
11	592179	2	PLACA	PLATE	PLAQUE	
12	810502	8	TUERCA	NUT	ECROU	
13	592182	4	ABARCON	U BOLT	BRIDE	
14	253924	2	TORNILLO	BOLT	BOULON	
15	243022	2	ARANDELA	WASHER	RONDELLE	
16	252163	2	TUERCA	NUT	ECROU	
17	168724	2	AMORTIGUADOR	SHOCK ABSORBER	AMORTISSEUR	
18	243057E2	4	GOMA	RUBBER	CAOUTCHUC	
19	500746	4	ARANDELA	WASHER	RONDELLE	
20	508896E2	4	GOMA	RUBBER	CAOUTCHOUC	
21	087914	2	TUERCA	NUT	ECROU	
22	088016	2	TUERCA	NUT	ECROU	
23	508895	4	ARANDELA	WASHER	RONDELLE	
24	NRC3448	1	PROTECCION L D	SHIELD R H	PROTECTION C D	
	NRC3449	1	PROTECCION L I	SHIELD L H	PROTECTION C G	

130015
130511
130515
130518
130501

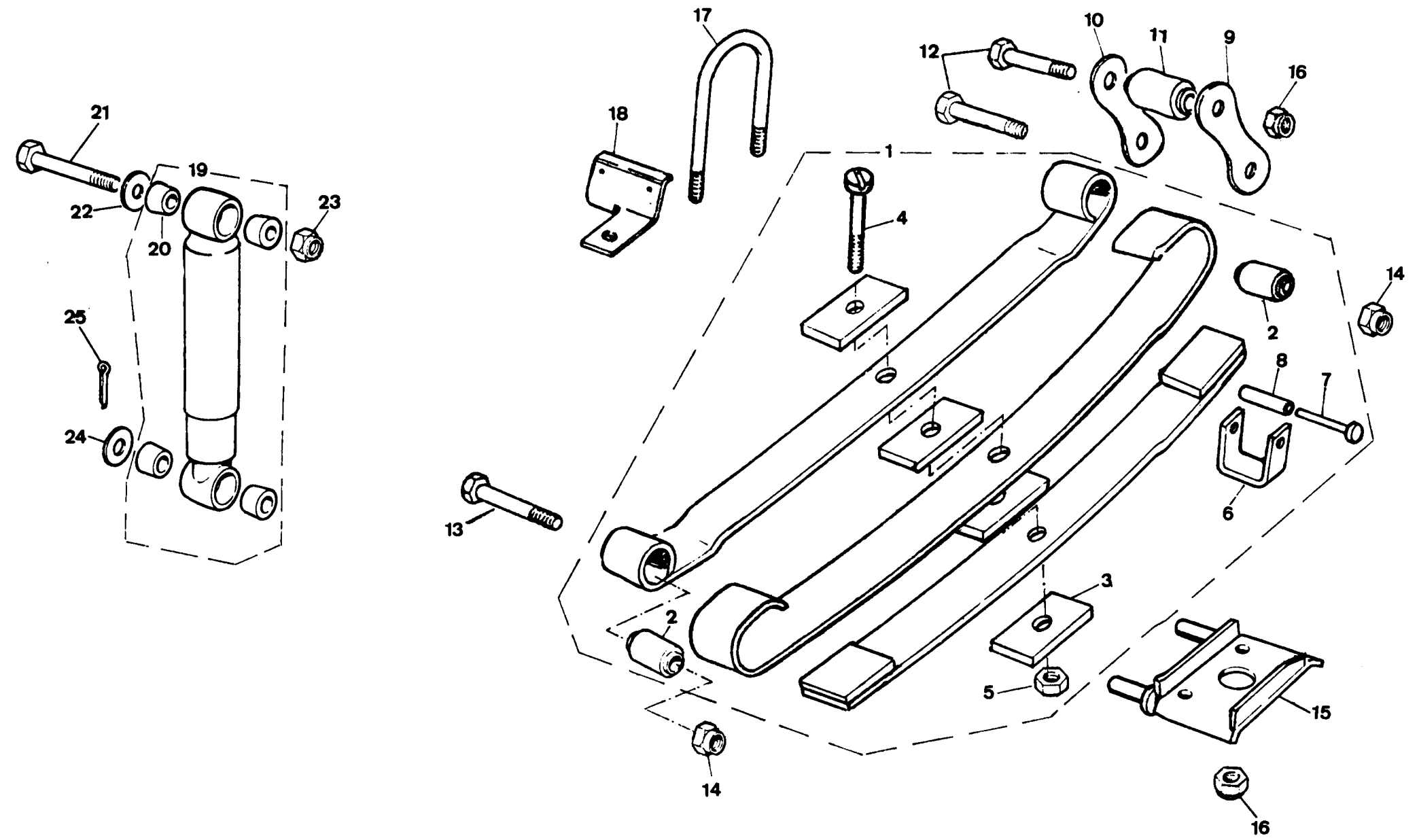


PUBLICACION N 880213
EDICION N 1

GRUPO=13 BASTIDOR Y SUSPEN
GROUP=13 FRAME AND SUSPENS
GROUPE=13 CHASSIS ET SUSPEN

SUBGRUPO=BALLESTA TRASERA CAZ
SUBGROUP=REAR SPRING CAZORLA
SUBGROUPE=RESSORT ARRIERE CAZO

N.FIG	N.PIEZA	CAN	DENOMINACION	DESCRIPTION	DENOMINATION	C H A S I S
PLATE	PARTNUMBER	QTY				
N.FIG	N.PIECE	OUT				
1	169782	1	BALLESTA TRASERA L I	REAR SPRING L H	RESSORT ARRIERE C G	
	169783	1	BALLESTA TRASERA L D	REAR SPRING R H	RESSORT ARRIERE C D	
	193943	1	HOJA MAESTRA	MAIN LEAF	LAME MAITRESSE	
	193944	1	HOJA SEGUNDA	2 AND LEAF	2 EME LAME	
2	189443	2	PERNO	SPRING DOWEL BOULON	BOULON	
3	548215	4	CASQUILLO	BUSH	BAGUE	
4	NY108041	2	TUERCA	NUT	ECROU	
5	279971	2	PLACA	PLATE	PLAQUE	
6	537685	2	PLACA	PLATE	PLAQUE	
7	548215	2	CASQUILLO	BUSH	BAGUE	
8	537741	4	TORNILLO	BOLT	BOULON	
9	252165	6	TUERCA	NUT	ECROU	
10	537741	2	TORNILLO	BOLT	BOULON	
11	264466K2	1	PLACA L	PLATE L H	PLAQUE C G	
	264467K2	1	PLACA L D	PLATE R H	PLAQUE C D	
12	810512	8	TUERCA	NUT	ECROU	
13	592182	4	ABARCON	U BOLT	BRIDE	
14	253924	2	TORNILLO	BOLT	BOULON	
15	243022	2	ARANDELA	WASHER	RONDELLE	
16	252163	2	TUERCA	NUT	ECROU	
17	168724	2	AMORTIGUADOR	SHOCK ABSORBER	AMORTISSEUR	
18	243057E2	4	GOMA	RUBBER	CAOUTCHOUC	
19	500746	4	ARANDELA	WASHER	RONDELLE	
20	508896E2	4	GOMA	RUBBER	CAOUTCHOUC	
21	387914	2	TUERCA	NUT	ECROU	
22	088015	2	TUERCA	NUT	ECROU	
23	508095	4	ARANDELA	WASHER	RONDELLE	
24	NRC3448	1	PROTECCION L D	SHIELD R H	PROTECTION C D	
	NRC3449	1	PROTECCION L I	SHIELD L H	PROTECTION C G	

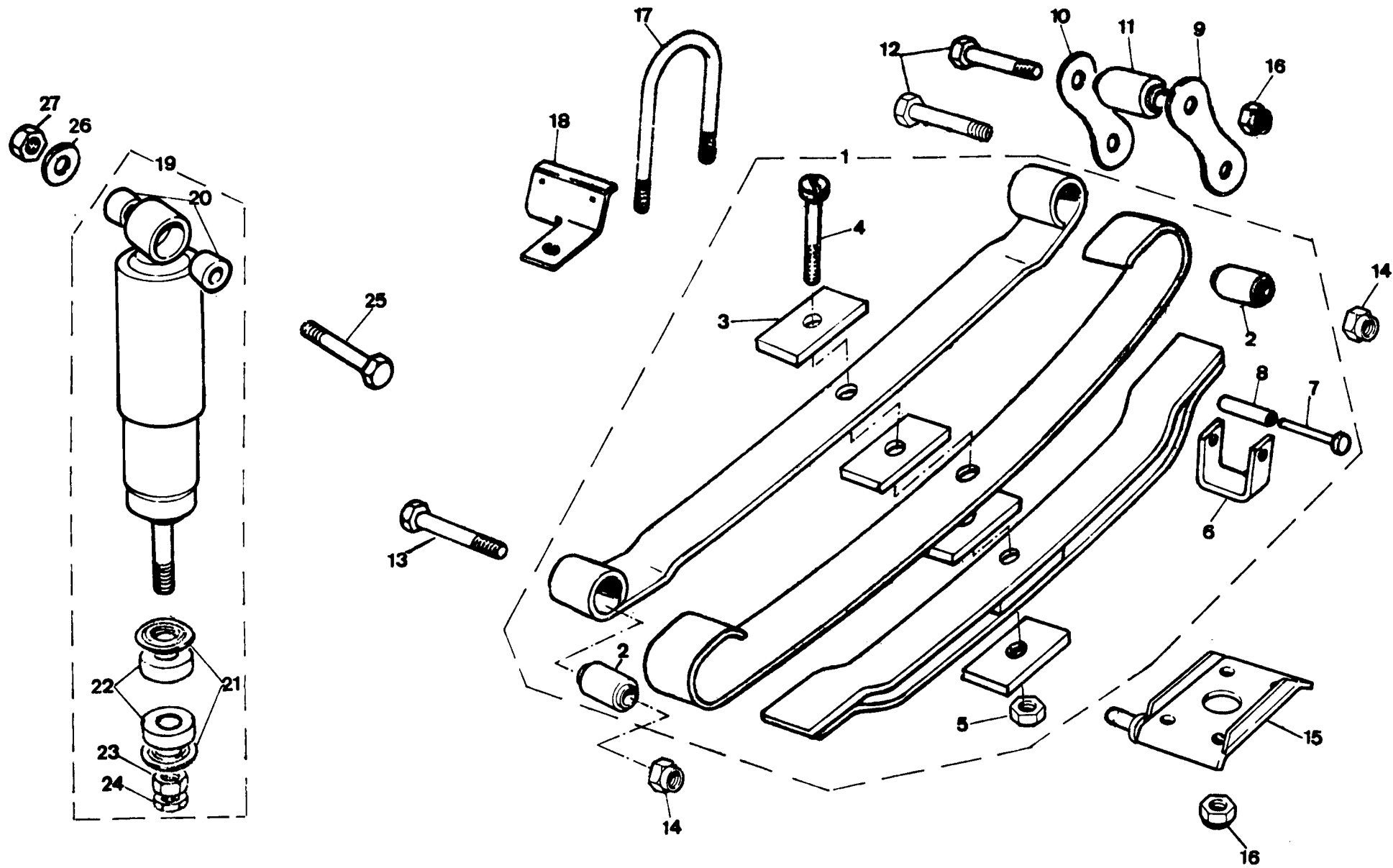


PUBLICACION N 380013
 EDICION N 1

GRUPO=13 BASTIDOR Y SUSPEN
 GROUP=13 FRAME AND SUSPENS
 GROUPE=13 CHASSIS ET SUSPEN

SUBGRUPO=BALLESTA TRA 88 SUPP
 SUBGROUP=REAR SPRING 88 SUPER
 SUBGROUPE=RESSORT ARRI 88 SUPER

N.FIG	N.PIEZA	CAN				
PLATE	PARTNUMBER	QTY				
N.FIG	N.PIECE	OUT	DENOMINACION	DESCRIPTION	DENOMINATION	C H A S I S
1	162787	1	BALLESTA TRASERA LI	REAR SPRING LH	RESSPORT ARRIERE CG	
	162788	1	BALLESTA TRASERA LD	REAR SPRING RH	RESSORT ARRIERE CD	
2	548205	4	CASQUILLO	BUSH	BAGUE	
3	194460	8	GOMA	RUBBER	CAOUTCHOUC	
4	163717	2	TORNILLO	BOLT	BOULON	
5	194534	2	TUERCA	NUT	ECROU	
6	194398	4	BRIDA	FLANGE	BRIDE	
7	194400	4	PASADOR	BOLT	BOULON	
8	194399	4	CASQUILLO	BUSH	BAGUE	
9	537686	2	PLACA	PLATE	PLAQUE	
10	244162	2	PLACA	PLATE	PLAQUE	
11	548205	2	CASQUILLO	BUSH	BAGUE	
12	537741	4	TORNILLO	BOLT	BOULON	
13	537741	2	TORNILLO 109	BOLT 109	BOULON 109	
	537743	2	TORNILLO 88	BOLT 88	BOULON 88	
14	252165	4	TUERCA	NUT	ECROU	
15	163745	1	PLACA L I	PLATE L H	PLAQUE C G	
	163746	1	PLACA L D	PLATE R H	PLAQUE C D	
16	810502	8	TUERCA	NUT	ECROU	
17	NRC3882F1	4	ABARCON	U BOLT	BRIDE	
18	NRC3448	1	PROTECCION L D	SHIELD R H	PROTECTION C D	
	NRC3449	1	PROTECCION L I	SHIELD L H	PROTECTION C G	
19	162795	2	AMORTIGUADOR	SHOCK ABSORBER	AMORTISSEUR	
20	243057E2	8	GOMA	RUBBER	CAOUTCHOUC	
21	253924	2	TORNILLO	BOLT	BOULON	
22	243022	2	ARANDELA	WASHER	RONDELLE	
23	252163	2	TUERCA	NUT	ECROU	
24	264024	2	ARANDELA	WASHER	RONDELLE	
25	4063	2	PASADOR	PIN	GOUVILLE	



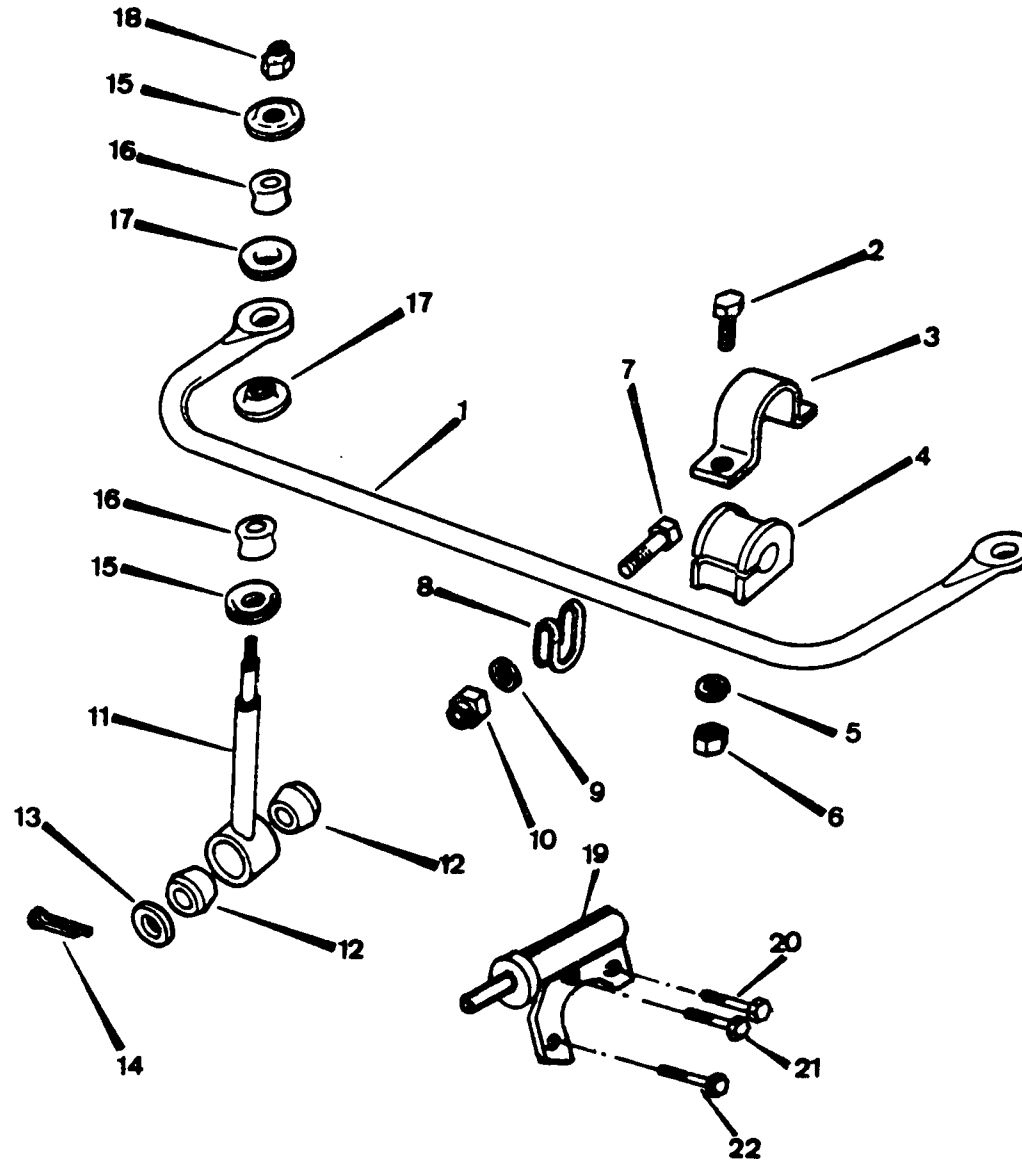
PUBLICACION N 320813
EDICION N 1

GRUPO=13 BASTIDOR Y SUSPEN
GROUP=13 FRAME AND SUSPENS
GRUPE=13 CHASSIS ET SUSPEN

SUBGRUPO=BALLESTA TRASERA 109
SUBGROUP=REAR SPRING 109
SUBGROUPE=RESSORT ARRIERE 109

N.FIG	N.PIEZA	CAN				
PLATE	PARTNUMBER	QTY				
N.FIG	N.PIECE	QTY	DENOMINACION	DESCRIPTION	DENOMINATION	C H A S I S
1	169797	1	BALLESTA TRASERA LD	REAR SPRING RH	RESSORT ASIIERE CD	
	169798	1	BALLESTA TRASERA LI	REAR SPRING LH	RESSORT ARRIERE CG	
2	598215	4	CASQUILLO	BUSH	BAGUE	
3	194403	2	GOMA	RUBBER	CAOUTCHOUC	
4	163713	2	TORNILLO	BOLT	BOULON	
5	194534	2	TUERCA	NUT	ECROU	
6	194398	4	BRILA	FLANGE	BRIDE	
7	194403	4	PASADOR	BOLT	BOULON	
8	194399	4	CASQUILLO	BUSH	BAGUE	
9	537669	2	PLACA	PLATE	PLAQUE	
10	279971	2	PLACA	PLATE	PLAQUE	
11	569746	2	CASQUILLO	BUSH	BAGUE	
12	537714	4	TORNILLO	BOLT	BOULON	
13	537741	2	TORNILLO	BOLT	BOULON	
14	252165	6	TUERCA	NUT	ECROU	
15	26446FK2	1	PLACA L I	PLATE L H	PLAQUE C G	
	264467K2	1	PLACA L D	PLATE R H	PLAQUE C D	
16	810501	8	TUERCA	NUT	ECROU	
17	NRC3885F1	4	ABARCON	U BOLT	BRIDE	
18	NRC3448	1	PROTECCION L I	SHIELD L H	PROTECTION C G	
	NRC3449	1	PROTECCION L D	SHILD R H	PROTECTION C D	
19	162791	2	AMORTIGUADOR	SHOCK ABSOPBER	AMORTISSEUR	
20	243057E2	4	GOMA	RUBBER	CAOUTCHOUC	
21	500746E2	4	ARANDELA	WASHER	RONDELLE	
22	500890E2	4	GOMA	RUBBER	CAOUTCHOUC	
23	87914	2	TUERCA	NUT	ECROU	
24	088116	2	TUERCA	NUT	ECROU	
25	253924	2	TORNILLO	BOLT	BOULON	
26	243022	2	ARANDELA	WASHER	RONDELLE	
27	252163	2	TUERCA	NUT	ECROU	

130011
130604



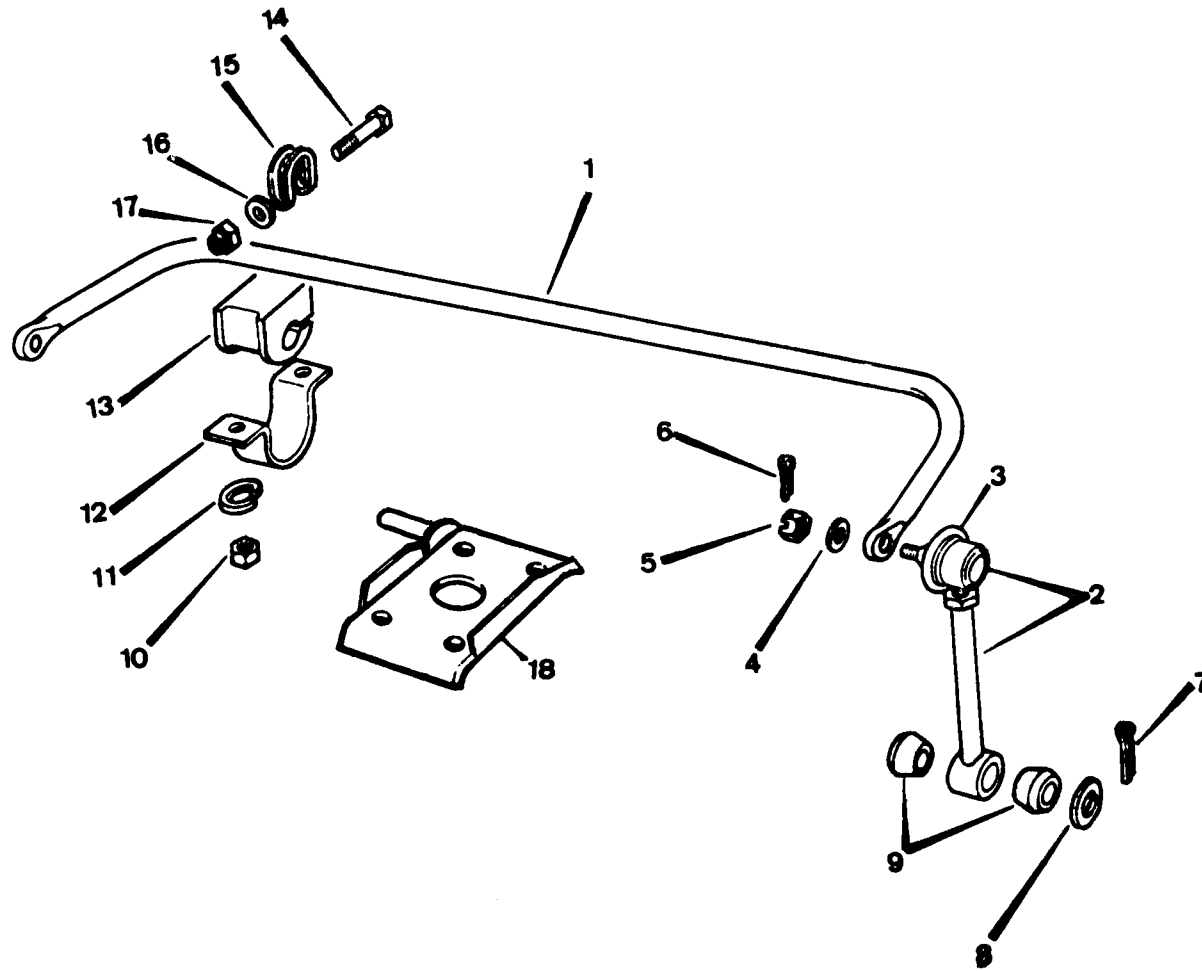
PUBLICACION N 890013
EDICION N 1

GRUPO=13 BASTIDOR Y SUSPEN
GROUP=13 FRAME AND SUSPENS
GROUPE=13 CHASSIS ET SUSPEN

SUBGRUPO=BARRA ESTABILIZADORA DELAN
SUBGROUPE=FRONT PANHARD ROD
SUBGROUPE=BARRE DE STABIL AVAN

N.FIG	N.PIEZA	CAN	DENOMINACION	DESCRIPTION	DENOMINATION	C H A S I S
PLATE	PARTNUMBER	QTY				
N.FIG	N.PIECE	OUT				
1	577447	1	BARRA ESTABILIZADORA	PANHARD ROD	BARRE DE STABILISATI	
2	255247	4	TORNILLO	BOLT	BOULON	
3	544772	2	SOPORTE	SUPPORT	SUPPORT	
4	552418	2	GOMA	RUBBER	CAOUTCHOUC	
5	180426	4	ARANDELA	WASHER	RONDELLE	
6	181182	4	TUERCA	NUT	ECROU	
7	256287	2	TORNILLO	BOLT	BOULON	
8	141132	2	ABRAZADERA	CLAMP	ETIER	
9	3946	2	ARANDELA	WASHER	RONDELLE	
10	252227	2	TUERCA	NUT	ECROU	
11	582536	2	BARRA	PIVOTED ROD	BARRE	
12	552819	4	GOMA	RUBBER	CAOUTCHOUC	
13	264224	2	ARANDELA	WASHER	RONDELLE	
14	4063	2	PASADOR	PIN	GOUILLE	
15	500746	4	ARANDELA	WASHER	RONDELLE	
16	552818	4	GOMA	RUBBER	CAOUTCHOUC	
17	508895	4	ARANDELA	WASHER	RONDELLE	
18	252164	2	TUERCA	NUT	ECROU	
19	577436	1	SOPORTE L I	SUPPORT L H	SUPPORT C G	
	577437	1	SOPORTE L D	SUPPORT R H	SUPPORT C D	
20	576522	4	TORNILLO	BOLT	BOULON	
21	181156	2	TORNILLO	BOLT	BOULON	
22	576521	6	TORNILLO	BOLT	BOULON	

130012
130605
130606



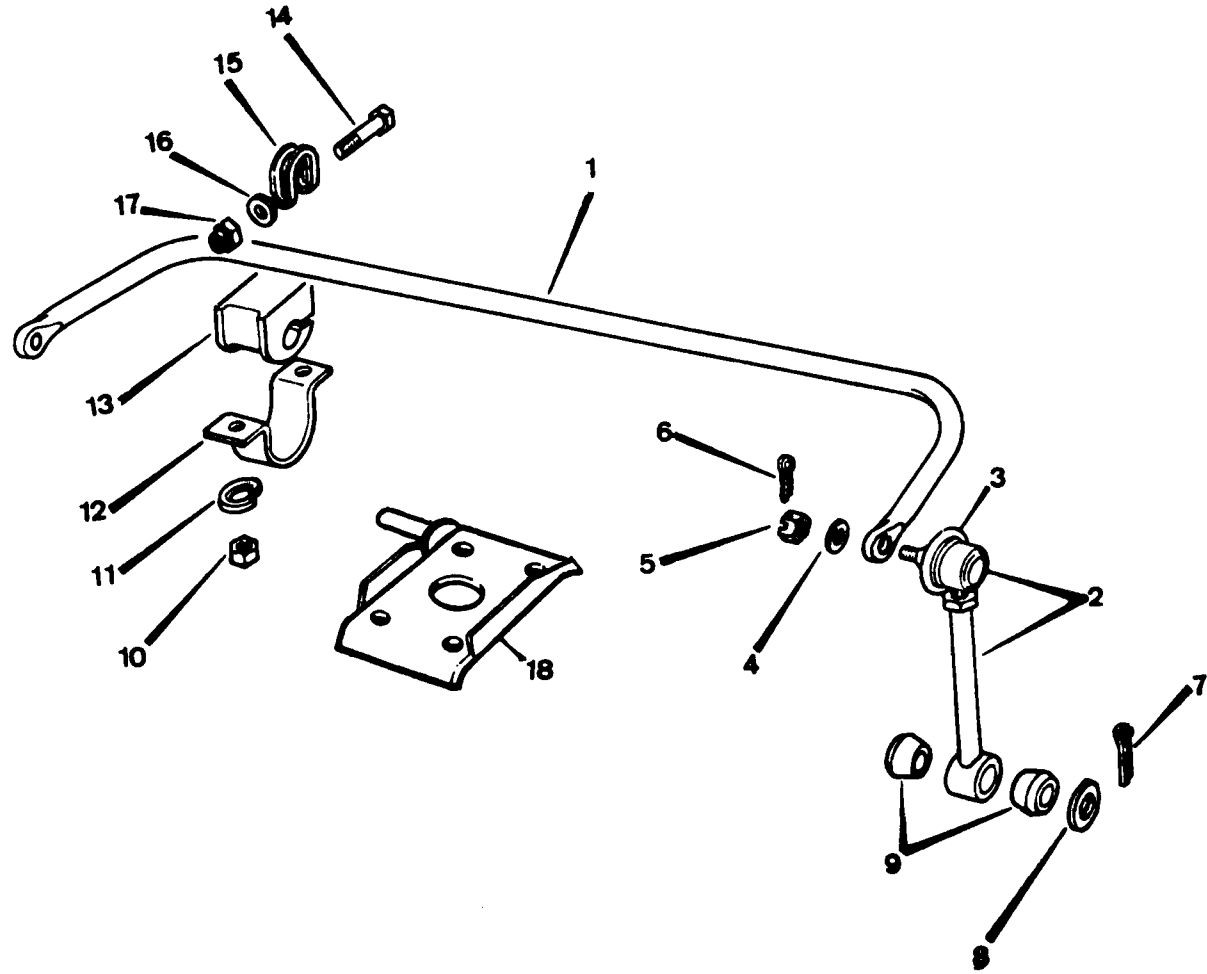
PUBLICACION N 880013
 EDICION N 1

GRUPO=17 CASTEROS Y SUSPEN
 GROUP=17 FRAME AND SUSPENS
 GROUPE=17 CHASSIS ET SUSPEN

SUBGRUPO=BARPA ESTABILIZADORA 109
 SUBGROUP=REAR PANHARD ROD 109
 SUBGROUPE=BARRE DE S ARRIE 109

N.FIG PLATE N.FIG	N.PIEZA PARTNUMBER N.PIECE	CAN QTY OUT	DENOMINACION	DESCRIPTION	DENOMINATION	C H A S I S
1	577442	1	BARRA ESTABILIZADORA	PANHARD ROD	BARRE DE STABILISATI	
2	169756	2	BARRA	TRACK ROD	BARRE	
3	169117	2	ROTULA	BALL JOINT	ROTULE	
4	850425	2	ARANDELA	WASHER	RONDELLE	
5	853775	2	TUERCA	NUT	ECROU	
6	852467	2	PASADOR	PIN	GOUJON	
7	4763	2	PASADOR	PIN	GOUJON	
8	264024	2	ARANDELA	WASHER	RONDELLE	
9	552819	4	GOMA	RUBBER	CAOUTCHOUC	
10	853035	4	TUERCA	NUT	ECROU	
11	3077	4	ARANDELA	WASHER	RONDELLE	
12	544772	2	SOPORT	SUPPORT	SUPPORT	
13	552418	2	GOMA	RUBBER	CAOUTCHOUC	
14	256207	2	TORNILLO	BOLT	BOULON	
15	141133	2	ABRAZADERA	CLAMP	ETRIER	
16	3946	2	ARANDELA	WASHER	RONDELLE	
17	252220	2	TUERCA	NUT	ECROU	
18	264466K2	1	PLACA L I	PLATE L H	PLAQUE C S	
	264467K2	1	PLACA L D	PLATE R H	PLAQUE C D	

130012
130805
130606



PUBLICACION N 890013
 EDICION N 1

GRUPO=13 BASTIDOR Y SUSPEN
 GROUP=13 FRAME AND SUSPENS
 GROUPE=13 CHASSIS ET SUSPEN

SUBGRUPO=BARPA ESTABI 88SUPER
 SUBGROUPE=REAR PANHARD 88SUPER
 SUBGROUPE=BARRE DE ARR 88SUPER

N.FIG	N.PIEZA	CAN				
PLATE	PARTNUMBER	QTY				
N.FIG	N.PIECE	OUT	DENOMINACION	DESCRIPTION	DENOMINATION	C H A S I S
1	162733	1	BARNA ESTABILIZADORA	PANHARD ROD	BARRE DE STABILISATI	
2	169756	2	BARRA	TRACK ROD	BARRE	
3	169117	2	ROTULA	BALL	ROTULE	
4	850425	2	ARANDELA	WASHER	RONDELLE	
5	853775	2	TUERCA	NUT	ECROU	
6	852467	2	PASADOR	PIN	GOUJON	
7	4063	2	PASADOR	PIN	GOUJON	
8	264624	2	ARANDELA	WASHER	RONDELLE	
9	552819	4	GOMA	RUBBER	CAOUTCHOUC	
10	853035	4	TUERCA	NUT	ECROU	
11	3077	4	ARANDELA	WASHER	RONDELLE	
12	544772	2	SUPORTE	SUPPORT	SUPPORT	
13	552418	2	GOMA	RUBBER	CAOUTCHOUC	
14	256207	2	TORNILLO	BOLT	BOULON	
15	141133	2	ABRAZADERA	CLAMP	ETRIER	
16	3946	2	ARANDELA	WASHER	RONDELLE	
17	252220	2	TUERCA	NUT	ECROU	
18	264466K2	1	PLCA L I	PLATE L H	PLAQUE C G	
	264467K2	1	PLACA L D	PLATE R H	PLAQUE C D	